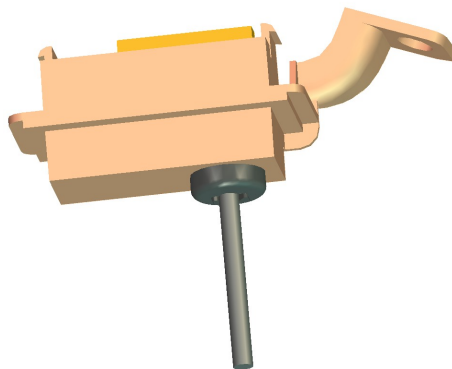




Pulse transmitter NI-3

OPERATING INSTRUCTIONS



APATOR METRIX S.A.
ul. Piaskowa 3, 83-110 Tczew
tel: +48 58 - 53 09 200, fax: +48 58 - 53 09 300
<http://www.metrix.pl> e-mail: metrix@metrix.pl

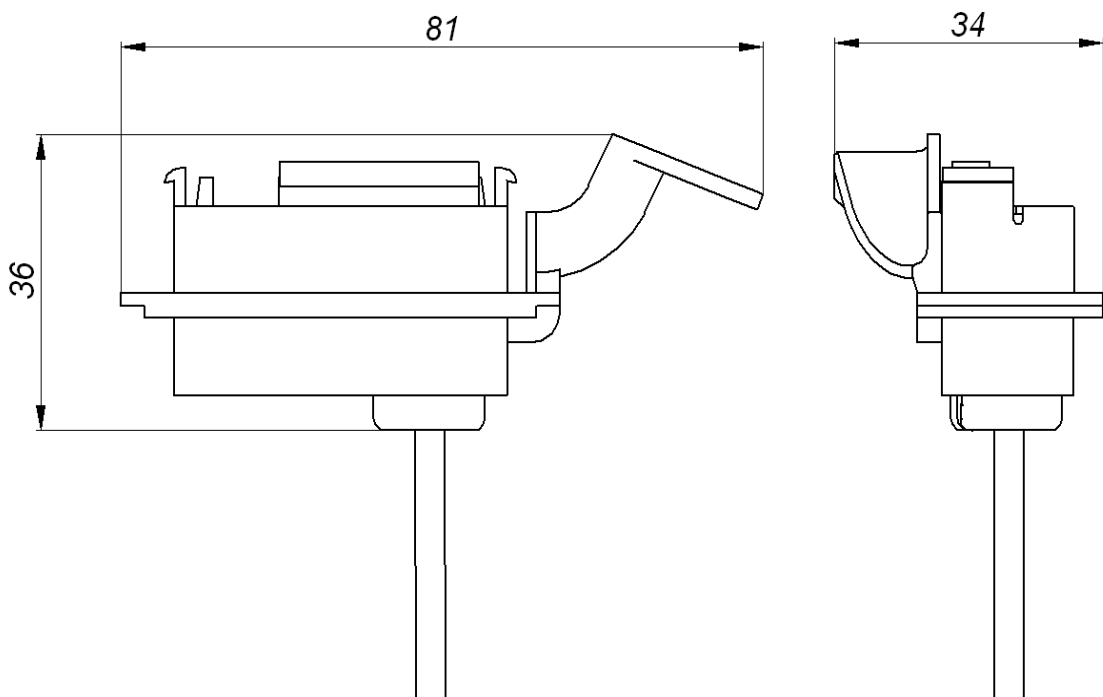
1. Designation

Pulse transmitter Ni-3 is a contact reed (magnetic) low frequency transmitter designated for generating and transmitting electrical pulses in order to register the volume and flow of gas in electrical circuits. It is designed to operate with METRIX gas meters.

2. Technical data

Power supply	max 24V DC
Current	max 100mA
Switching power	max 0,6W
Pulse time	min 0,3s
Resistance	max 075 Ω
Connecting cable length	2m (on special order 10m)
Operating temperature	-25°C ÷ +50°C

3. Dimensions



4. Construction

The pulse transmitter consists of the following parts:

- housing
- low frequency sensors set

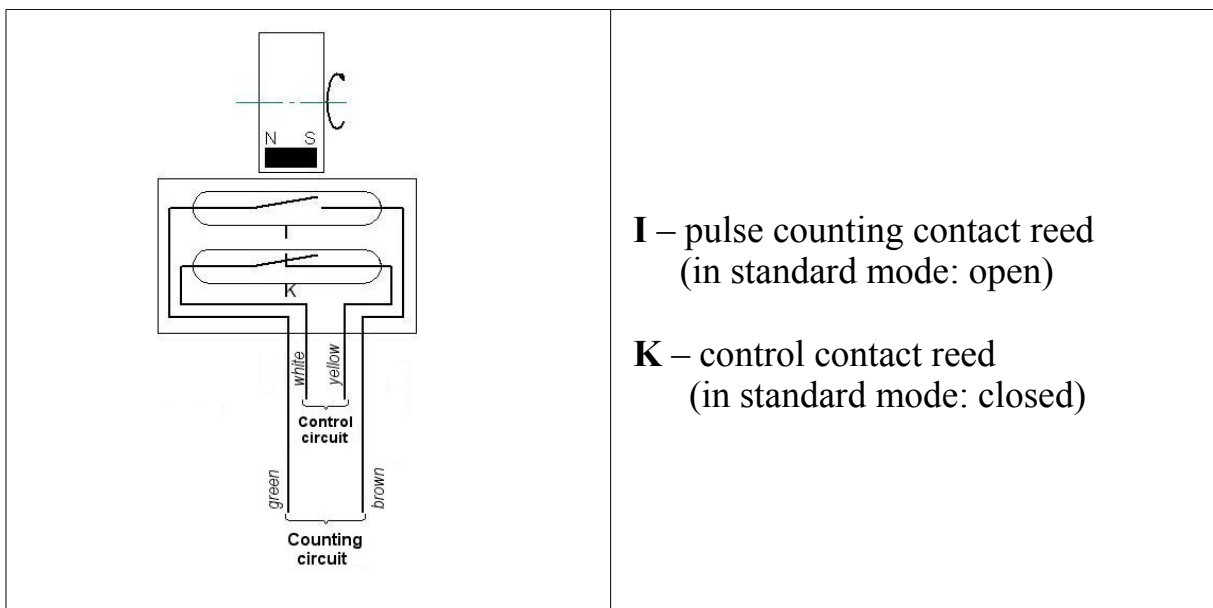
Housing - made of plastic. It contains clinches that allow fastening the transmitter inside the socket of the index. There is a set of sensors inside the housing.

Low frequency sensors set - consists of the housing with built-in contact reeds: counting and control reeds. They are covered with a hermetic mass and connected by a 4-wired cable.

5. Operating principles

By influence of magnets located inside the rotating index wheels the counting contact reeds are being closed. In this way appear electrical pulses, which number is proportional to the number of index wheel rotations. The control contact reed detects failure situation like:

- trials of blocking the counting circuit with a strong magnet
- breaking cable connection between a gas meter and counting device



6. Installation (retrofitting) of pulse transmitter

The pulse transmitter NI-3 can be used with all METRIX gas meters manufactured from 2005. It can be retrofitted at any time after installation of a gas meter without damaging the calibration seal.

The installation of pulse transmitter should be done by an authorised staff.

6.1 Mounting the pulse transmitter in a gas meter

In order to mount the pulse transmitter NI-3 in a gas meter installed into a gas net, you should do the following:

1. Remove the plug of the index socket



- Brake the plug cover in the place of the inscription „metrix”



- Insert one side of the pincers into the hole in the plug cover



- By rotating the pincers remove the plug cover



- Hold tightly the internal part of the plug like it is shown on the picture and rotate the pliers removing the plug from the socket at a time. Remove the rest parts of the plug, if any.

2. Mount the pulse transmitter into the index



- Insert the transmitter into the index socket until the clinches reach their final position (you shall hear a "click")



sealing:

- insert a hollow rivet into the sealing hole of the transmitter NI-3
- Insert the seal into the hole of the hollow rivet and close the seal

seal

6.2 Replacing a damaged pulse transmitter NI-3

In case of damage or operating failure of a pulse transmitter, it should be replaced in the following manner:

1. Remove the damaged transmitter



- Drill and remove the transmitter seal
- Break the left and right part of the transmitter with a pincer



- In the gaps on sides of the transmitter insert carefully two flat screwdrivers 0,8x4
- Remove the transmitter from the socket by pulling the cable

2. Mount a new pulse transmitter like described above