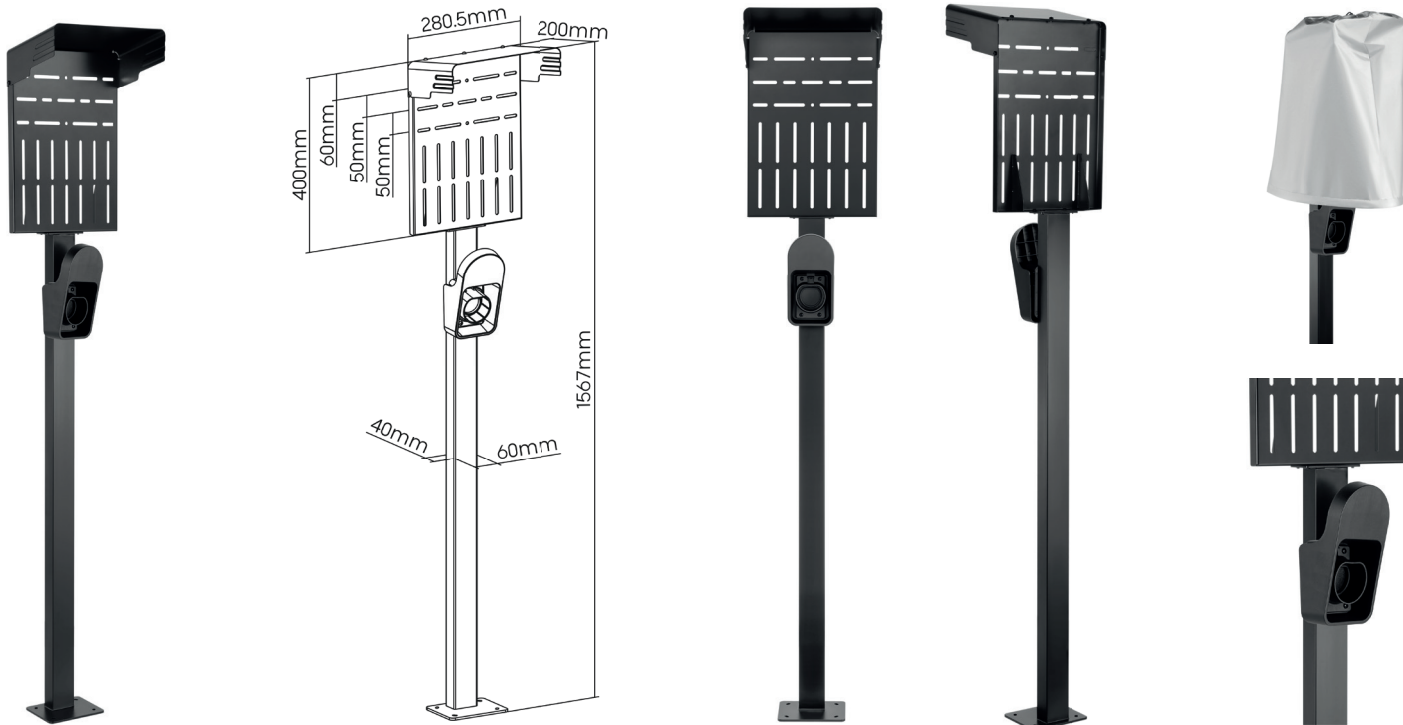


INLINE® UNIVERSAL WALLBOX STAND

With EV charging cable holder, black



This universal wallbox stand with EV charging cable holder from InLine is the perfect solution for situations where wall mounting the EV charging station is not possible. This robust all-weather solution allows you to conveniently charge your electric vehicle outdoors without having to worry about weather conditions. The stand is equipped with a baffle plate that protects the EV charging station with the EV charging cable from weather conditions and allows safer charging. An additional waterproof cover with magnet provides protection from snow, rain, sun and dust. The base of the stand is made of high-quality steel, ensuring stable support and long life. The included cable holder ensures that the EV charging cable is always neatly stored and within reach. The stand can be quickly and easily fixed into the ground thanks to the extensive range of accessories.

- Practical solution: Ideal when wall mounting is not possible or for parking spaces where there is no option for mounting the EV charging station
- Robust all-weather solution for your EV charging station: The stand is equipped with a baffle plate that protects the EV charging station with the EV charging cable from the weather conditions and enables safer charging
- Incl. waterproof cover with magnet: Can be used as a cover for the EV charging station or during the charging process for the cable coupling - provides protection from snow, rain, sun and dust

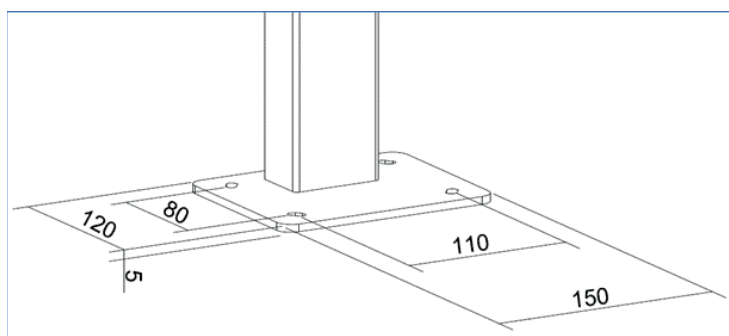
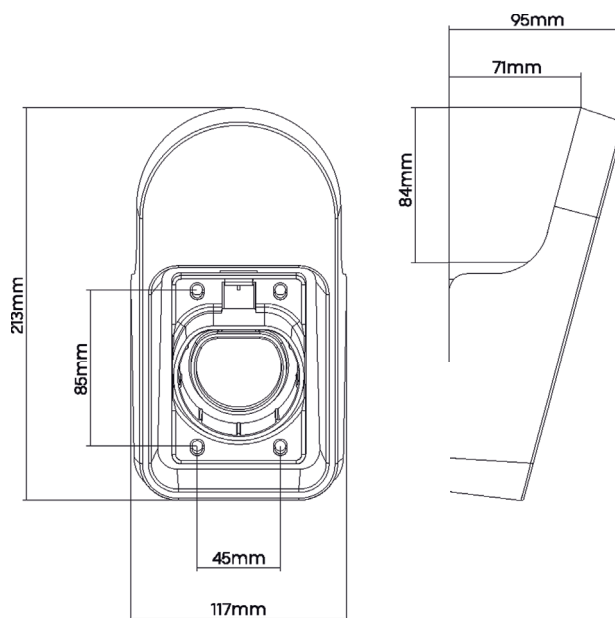
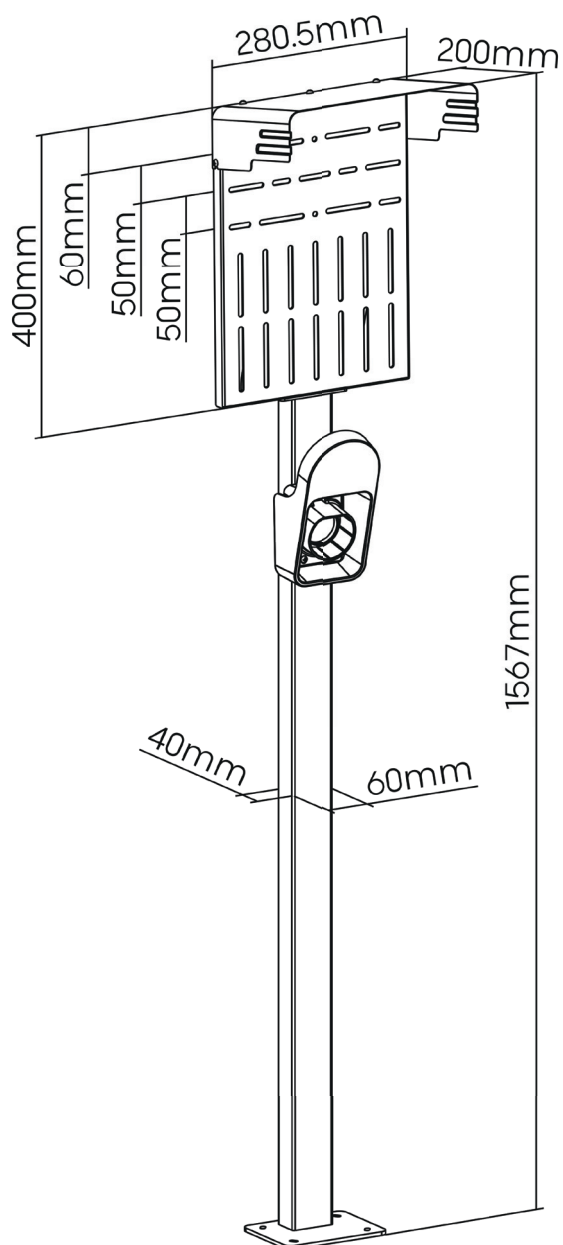
- Stable base made of high-quality material: The base is made of steel, ensuring durability and a long service life
- Incl. practical cable holder: The EV charging cable is always at hand thanks to the tidy storage
- Easy to use: Locking and unlocking the EV charging cable is easy and can be done safely with just one hand
- Incl. mounting accessories: Mounting is quick and easy thanks to the comprehensive accessories
- Load capacity of stand: Up to 15 kg
- Colour: Black
- Dimensions: 1567 x 280.5 x 200 mm
- The available area for mounting a wallbox is 28 x 40 cm (width x height). The rain cover has a depth of 20 cm

CONTENTS OF DELIVERY:

- Stand with mounting plate and rain tray
- Magnetic cover
- Holder for EV charging cable with type 2 socket
- Screw set incl. simple tool

Item No.	Color	EAN
59989B	Black	4043718316519





If you have any further questions, please contact marketing@inline-info.com

www.inline-info.com/en/

Disclaimer

InLine® is a brand of INTOS ELECTRONIC AG | Siemensstraße 11 | D-35394 Gießen

Documentation © 2024 INTOS ELECTRONIC AG

All rights reserved. No part of this document may be reproduced in any form or by any means, electronic, mechanical or chemical, without the prior written permission of the publisher. It is possible that this document may still contain typographical faults or misprints.

However, the information in this document will be checked regularly and corrections will be made in the next edition. We accept no liability for errors of a technical or printing nature and their consequences. All trademarks and industrial property rights are acknowledged. Changes in the sense of technical progress can be made without prior notice. Our products, including packaging, are not toys, they may contain small parts and sharp objects.

Please keep away from children.