



NEW

SILENTWIND PRO

SILENTWIND Pro – User Manual

SILENTWIND
12V / 24V / 48V
www.SilentWindgenerator.com

March 2019

Index

INDEX	3
1. PRECAUTIONS	6
2. PRESENTATION	7
3. TECHNICAL DATA	8
3.1 SILENTWIND Pro – ELECTRICAL DATA	8
3.3 HYBRID BOOST CHARGE CONTROLLER – ELECTRICAL DATA	8
3.4 HYBRID BOOST CHARGE CONTROLLER - MECHANICAL DATA	8
3.5 POWER CURVE	9
3.6 DIMENSIONS	10
3.7 PACKAGE CONTENTS	11
4. SAFETY PRECAUTIONS	12
4.1 MECHANICAL RISCS	12
4.2 ELECTRICAL RISKS	12
4.3 INSTALLATION RISKS	13
4.4 WHEN WORKING ON THE SYSTEM	13
4.5 DISSASSEMBLY SEQUENCE	13
5. INSTALLATION	14
5.1 RECOMMENDATIONS	14
5.1.1 <i>SITE</i>	14
5.1.2 <i>THE MAST</i>	15
5.1.3 <i>THE BODY</i>	16
5.1.4 <i>ELECTRICAL INSTALLATION</i>	16
5.2 REQUIRED TOOLS AND EQUIPMENT	16
5.3 CABLES AND FUSES	17
5.4 MECHANICAL INSTALLATION	18
5.4.1 <i>INSTALLATION ON LAND</i>	18
5.4.2 <i>INSTALLATION ON A VESSEL</i>	18
5.4.3 <i>SILENTWIND Pro ASEMBLY</i>	20
5.5 ELECTRICAL INSTALLATION	22
5.6 CHECK LIST	24
6. OPERATION	25
7. MAINTENANCE	26
7.1 ROTOR BLADES	26
7.2 SCREWS	26
7.3 BEARING AND GASKETS	26
7.4 CORROSION PROTECTION	26
7.5 MOUNTING SYSTEM	26
7.6 ELECTRICAL SYSTEM	26
8. VIDEO LINKS	27
9. FAQ	27
10. TROUBLESHOOTING	29
10.1 SILENTWIND Pro DOES NOT START OR IT'S ROTATING SLOWLY	29
10.2 BATTERY IS NOT FULLY CHARGED	30
10.3 SILENTWIND Pro DOES NOT CHARGE	30
11. WARRANTY	31
11.1 DISCLAIMER OF WARRANTY	32
11.2 WARRANTY CARD	33
11.3 AFTER-SALES SERVICE	33
12. QUICK INSTALLATION QUICK GUIDE	34

Congratulation! You have just purchased the new generation of wind generators.

SILENTWIND Pro

SAFE – QUIET – EFFICIENT

SILENTWIND Pro is constructed of the highest quality material and has been thoroughly inspected.

The Warranty Terms are described in a chapter of this manual. For traceability under the warranty, please register the SILENTWIND Pro on our website: www.silentwindgenerator.com

Registering your SILENTWIND Pro has the following benefits:

- Confirmation of your ownership and safety notifications: by keeping a record of your registration, we will be able to trace your product and contact you quickly if necessary;
- Product information a new: choose to be among the first to hear about our latest product, helpful advice or product developments

If you have any questions or comments, do not hesitate contact us:

Rulis Eléctrica Lda
Loteamento Industrial de Linhares, Lote 19
PT-4805-486 Santo Estevão de Briteiros / Guimarães
Portugal

Phone: 00351-253-572763

Fax: 00351-253-572764

E-mail: info@silentwindgenerator.com

Business Hours:

Monday to Friday: from 8h00 to 17h00 GMT + 0:00

Welcome to Silentwind family!



The CE marking is a mandatory compliance requirement in EMEA and the UK and although it is self-certified, testing and evidence to support that testing is preferred from an independent test house.

Machinery Directive 2006/42/EC, Low Voltage Directive 2004/95/EC, Electromagnetic Compatibility Directive 2004/108/EC. The report and the declaration of conformity are available for inspection on request.

1. PRECAUTIONS



- Please note this manual is part of the [SILENTWIND Pro](#) and must be read carefully.
- Please study the information thoroughly before starting the installation.
- This manual should always be kept near the [SILENTWIND Pro](#).
- Always download the up-to-date manuals. Manuals may change without prior notice.

In this manual, you will see the following icons:



Pay attention. Very important.
High risk. Injury.
Damage to equipment may result if not heeded.



Electrical warning sign.
Major risk, severe injury or dead.



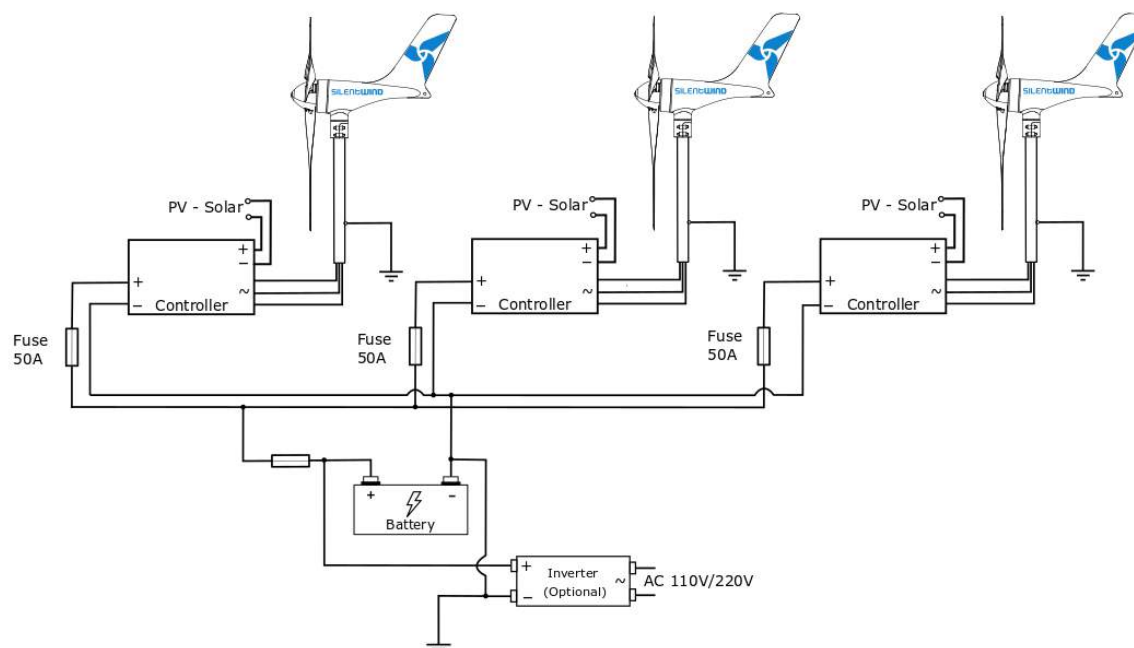
Major risk, severe injury or dead.

2. PRESENTATION

The **SILENTWIND Pro** features:

- ✈ Aerodynamic design from aircraft-engineering
- ✈ Lightweight
- ✈ Very good start-up performance due to low cogging torque
- ✈ Low noise
- ✈ Easy installation
- ✈ Does not have any inbuilt control electronics, which means that there is hardly any maintenance work on the generator itself
- ✈ The Blades are carbon fiber hand laminated, UV-resistant, successfully tested on wind tunnels at hurricane speed of 122km/h
- ✈ External Hybrid Boost Charge Controller for wind and solar energy with multi-function display and integrated electronic stop switch
- ✈ Durable and low maintenance by external Hybrid Boost Charge Controller and high-quality components

It is possible to connect several **SILENTWIND Pro** if your demand is high. As noise emission is very low, you can operate in residential areas and on vessels without annoying your neighbors.



The **SILENTWIND Pro** can be used in universal applications on low, middle and high winds:

- ✈ Any location without an electricity grid connection.
- ✈ Research units.
- ✈ Traffic management system.
- ✈ Emergency systems.
- ✈ Street lamps.
- ✈ Billboard illumination.
- ✈ Project in developing countries.
- ✈ Wireless LAN access points.
- ✈ Holiday homes with inverters for independent provision of electricity.
- ✈ Charge the batteries of an electric vehicle.

3. TECHNICAL DATA

3.1 SILENTWIND Pro – ELECTRICAL DATA

TECHNICAL DATA	Type of generator	Permanent magnet generator, 3 phases, AC
	Rated voltage*	12 VDC / 24 VDC / 48 VDC
	Rated power	420 Watt / 450 Watt / 500 Watt
	Rated peak power at	14.5 m/s
	Start up speed	2 m/s
	Start of charging	2.2 m/s

* Your battery set must match the SILENTWIND Pro rated voltage.

3.2 SILENTWIND Pro – MECHANICAL DATA

Safety test in wind tunnel	122km/h without failure
Rotor diameter	1.15 m
Number of blades	3
Weight of blades	150 g / blade
Material of blades	Carbon fiber, hand laminated
RPM range	550 – 1700 rpm
Weight	6.8 kg (Generator)
Package dimensions	780 x 400 x 210 mm
Package weight	10 kg
Color	White RAL 9010, powder coated

3.3 MPPT HYBRID BOOST CHARGE CONTROLLER – ELECTRICAL DATA

System voltage*	12 VDC / 24 VDC / 48 VDC
Max. power input wind generator	600 Watt
Max. current input wind generator	40 A / 30 A / 15 A
Max. power input solar	300 Watt
Max. current input solar	20 A / 10 A / 5 A
Max. open circuit voltage input of the solar panel	48 VDC / 48 VDC / 96 VDC
LCD + LED displays	W, A, V/Ah, kWh, Ah

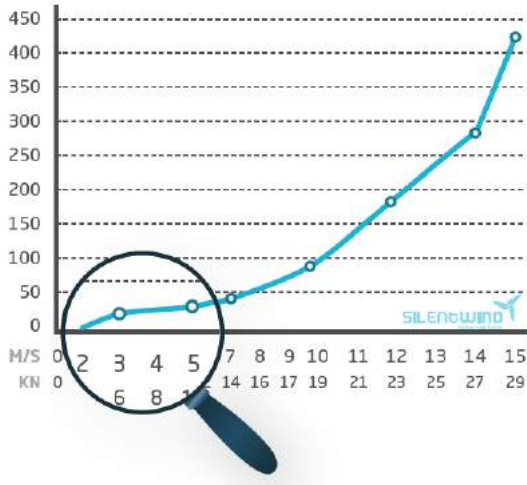
* Maximum voltage adjustable for acid, gel and AGM batteries

3.4 MPPT HYBRID BOOST CHARGE CONTROLLER - MECHANICAL DATA

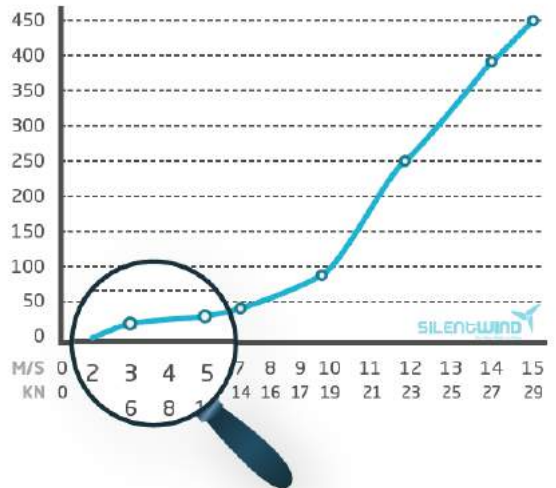
Weight	2.30 kg
Package dimensions	220 x 150 x 83 mm
Cover protection class	IP52

3.5 POWER CURVE

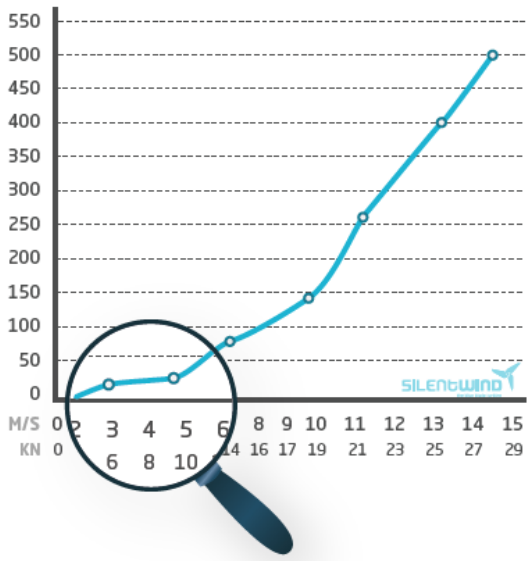
POWERCURVE 12V BOOSTER 2V



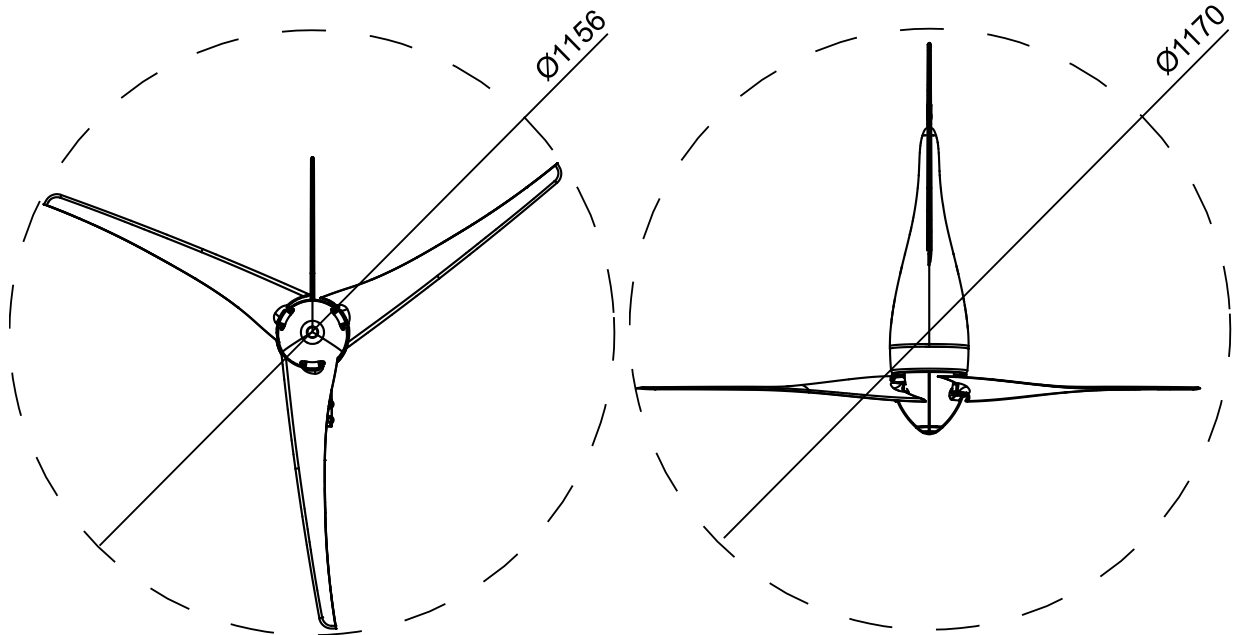
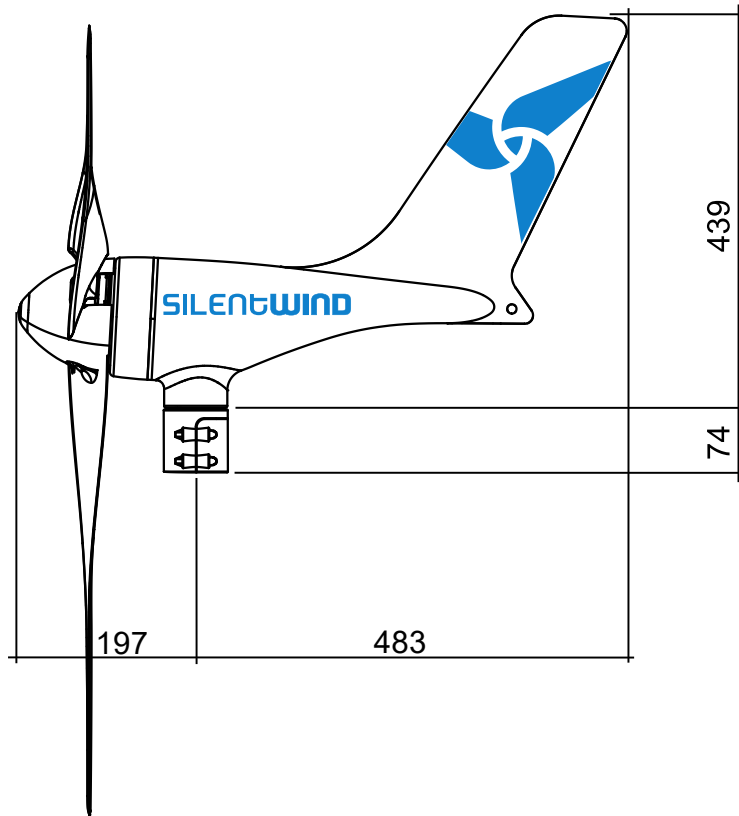
POWERCURVE 24V BOOSTER 4V



POWERCURVE 48V BOOSTER 8V

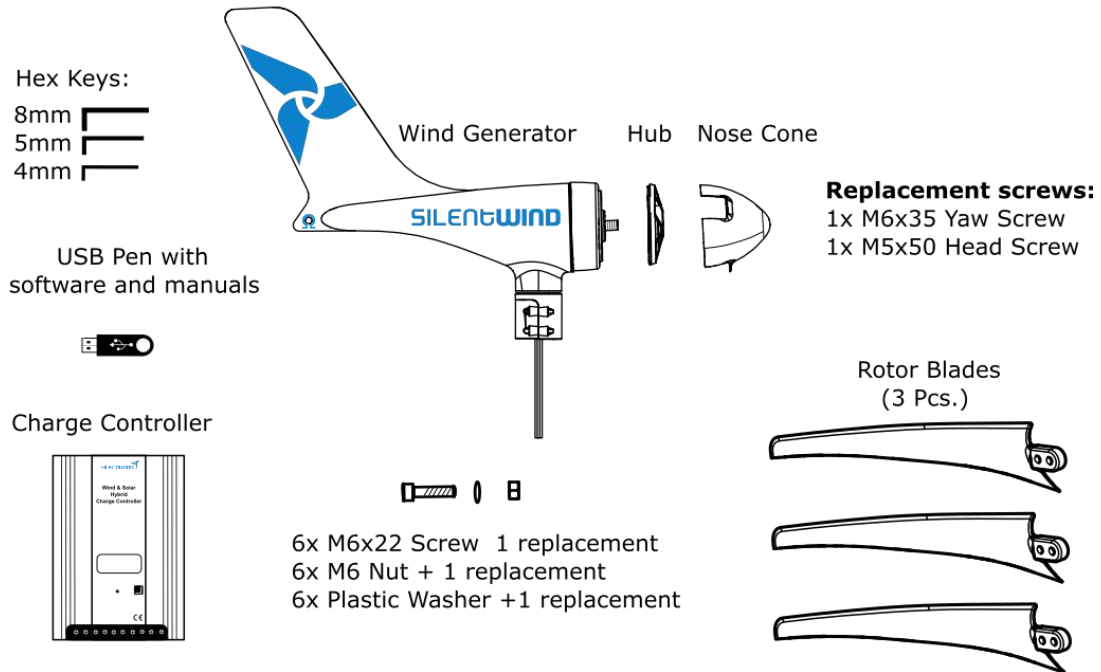


3.6 DIMENSIONS



3.7 PACKAGE CONTENTS

Please check if all enclosed parts are correct.



Packing List

Item	Description	Quantity	Order number
1	Generator body, powder coated	1	SW501
2	Hub	1	SW105
3	Nose Cone	1	SW101
4	Blades	3	SW103
5	Hybrid Boost Charge Controller	1	SW701
6	Set of screws	1	-
7	Hex Key 4mm	1	SW901
8	Hex Key 5mm	1	SW902
9	Hex Key 8mm	1	SW903
10	Pen drive (*)	1	-

(*) With Instruction Manuals – [SILENTWIND Pro](#)

Video Link - Silentwind Package Contents: <https://www.youtube.com/watch?v=pLuSNRxI7nE>

4. SAFETY PRECAUTIONS

Our primary concern when we have developed the **SILENTWIND Pro** was your safety. The information provided is to ensure your safety during mounting, operation, and in case of trouble.

If you have any additional questions, please contact us.

4.1 MECHANICAL RISKS

The blades are produced in carbon fiber and their aerodynamic shape have very sharp edges which can cause severe injury in high wind conditions. For several reasons, the turning rotor system must be handled with caution. You cannot see the end of the blades in high wind speeds, so you may not recognize the inherent danger.



- ✦ Always keep clear of the turning blades in all circumstances.
- ✦ Never try to touch the turning rotor system.
- ✦ Never try to stop the turning rotor system manually.
- ✦ Blades can break due to ropes or other objects touching them in very strong winds



If one of the blades is damaged, immediately activate the BRAKE function using the stop switch on Hybrid Boost Charge Controller. If one of the blades is damaged, the rotor system will be out of balance which may be a risk for the whole mounting construction.

4.2 ELECTRICAL RISKS

A running **SILENTWIND Pro** can generate a considerable AC voltage and current per phase. High voltage and current can cause serious injury and fire if you do not pay attention to safety.

- ✦ Only person with appropriate technical skills and knowledge should carry out the electrical installation.
- ✦ Caution is recommended for people with cardiac pacemakers.
- ✦ Never touch the open end of the wires.
- ✦ The current when charging the batteries can reach more than 30A.
- ✦ Careful to never short-circuit the battery.
- ✦ Always provide enough ventilation for batteries.
- ✦ To reduce installation problems, keep wire run as short as possible and mount all system components as close to the batteries as possible.



4.3 INSTALLATION RISKS

Please observe the following precaution during **SILENTWIND Pro** installation:

- ✚ Do not install on a windy day.
- ✚ Only use or build mounting/support system that can handle the load of the **SILENTWIND Pro** and the blast pressure of the wind in any condition.
- ✚ Make sure that nobody is close to the mast.
- ✚ Before a storm the **SILENTWIND Pro** should be manually stopped with the stop switch on the Hybrid Boost Charge Controller and one rotor blade must be fixed to the mast due to the risk of damage by flying objects.

4.4 WHEN WORKING ON THE SYSTEM



Never work on the system during charging. The current is very high.

Major risk, severe injury or dead. Risk of fire.

Stop the system first by following the below sequence!

4.5 DISSASSEMBLY SEQUENCE



1st Brake the wind generator. Tie the blades with a rope if possible.

2nd Disconnect the **SILENTWIND Pro** . If you have not tied the rope to the blades, to avoid risks, once you remove the 3 wires from the generator please put at least 2 wires from the generator together to cause a short circuit and slow down the rotation of the blades. Use a tape to keep it on short-circuit.

3rd If you are using solar panels, cover them and disconnect them from the charge controller.

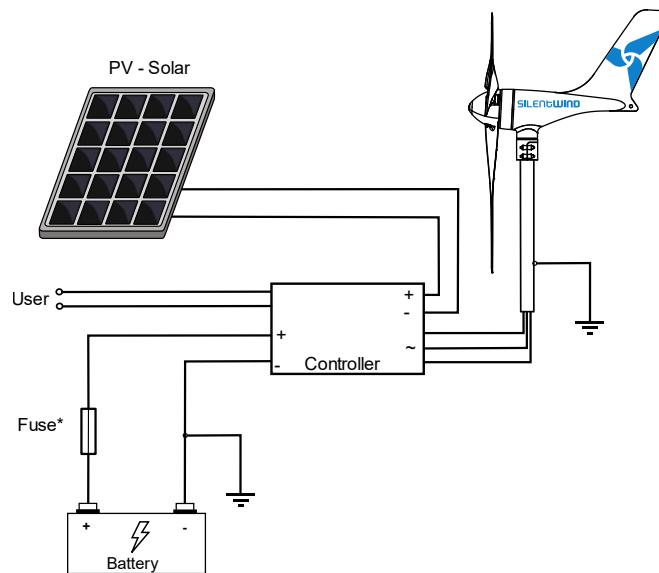
4th Disconnect Battery. This is very important. Otherwise the Hybrid Boost Charge controller will be damaged.

To assemble to equipment, follow the reverse order.

5. INSTALLATION

Before mounting the **SILENTWIND Pro** find a suitable position for the wind. The ideal position is when the wind flows without any obstacles in the surroundings.

Please note that the **SILENTWIND Pro** can never be fully efficient if it is not mounted in the prevailing wind direction or distracted by obstructions. Therefore, it is important to find a position without obstructions.



Electrical assembly illustration

5.1 RECOMMENDATIONS

5.1.1 SITE



- ⚡ Make sure that you install the **SILENTWIND Pro** in a position where nobody can touch the blades.
- ⚡ On a vessel, always ensure it is mounted at an enough height above the deck.



Further info on the following chapters.

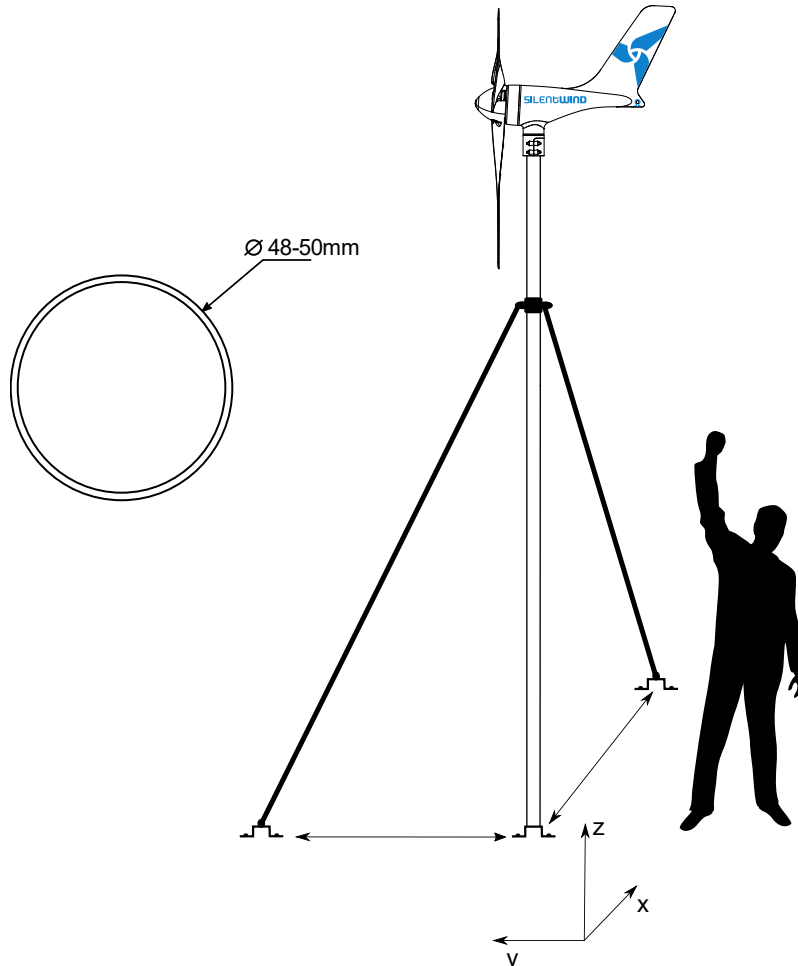
5.1.2 THE MAST

- ✈ The mast is a separated product and it is considered a third-party component.
- ✈ On vessels, look for the advice on your vessel manufacturer or on your vessel maintenance company.
- ✈ On land use, look for advice of a structural engineer.
- ✈ The mast should be as short as possible but high enough that the blades do not interfere with any objects and nobody can get hit by the blades. Usually at a height of 3 meters. Make sure that **SILENTWIND Pro** gets “clean air”.
- ✈ The mast must be well secured so that it is safe in strong winds and in adverse sea conditions.
- ✈ The mast and the mast stays should be assembled in such a way that vibration will be not magnified.

The **SILENTWIND Pro** is a lightweight equipment but some precautions must be followed.

MINIMUM RECCOMENDED SPECIFICATIONS:

- ✈ For marine applications, choose preferentially a marine grade stainless steel mast.
- ✈ Aluminum masts are not recommended. Use aluminum masts only manufactured by certified mast manufacturers.
- ✈ The recommended diameters are 48 or 50mm.
- ✈ The mast profile on steel, must not be less than 1,5mm thickness on 3m high maximum. The mast must be anchored with rigid rods or steel cables (see the example below).
- ✈ Use the proper anchorage.



5.1.3 THE BODY

To avoid any damage to the powder coated aluminum housing please touch up any scratches, chipping of paint work during installation. Sea water will penetrate the scratches and peel off the paint slowly.

As an additional precaution against electrolytic corrosion between dissimilar metals, you can use “Duralac” or “Tefgel” on the 4 yaw bearing mast bolts/nuts.

5.1.4 ELECTRICAL INSTALLATION

- ✦ Make sure all wires are placed in the correct position so that damage cannot occur.
- ✦ The 3 AC cables need to have the same cross section and the correct mm²/AWG.
- ✦ A damaged cable is a severe safety risk.
- ✦ Wires with inadequate cross section can cause fire.
- ✦ Make sure the electrical connections (crimping) are done 100%.
- ✦ Any voltage drops can influence the control of brake functions.
- ✦ Use tinned copper cables for marine installations.
- ✦ When connecting Hybrid Boost Charge Controller to the battery, sparks can occur. A short circuit is to be avoided.
- ✦ Always ensure enough ventilation in battery location.
- ✦ If the Hybrid Boost Charge Controller is not easily accessible, you can use a remote brake switch connect with the external stop switch to the Hybrid Boost Charge Controller. You can choose the type of stop switch suitable to your instrument panel.
- ✦ Connect the mast or support to the ship’s grounding system whenever possible.
- ✦ Check your battery specifications carefully. Read the battery manual if available.



If you are not qualified to perform electrical installations, don't do it.
Work safely.
To execute the tasks, use the proper tools.

5.2 REQUIRED TOOLS AND EQUIPMENT

- ✦ Mast with 48mm to 50mm diameter.
- ✦ Extension cables to connect the three AC **SILENTWIND Pro** phases to the Hybrid Boost Charge Controller.
- ✦ Connectors for the three-phase cables and crimp plier
- ✦ Red and black cable to connect the Hybrid Boost Charge Controller to the battery.
- ✦ Joint connector for battery cable.
- ✦ Fuse.
- ✦ Measure tape.
- ✦ A set of Allen keys is provided to assist with the installation of **SILENTWIND Pro**.

NOTE: Other tools might be needed. Please plan all steps carefully.

5.3 CABLES AND FUSES

The cross section of the wires required depends on their length and the rated voltage of your system. Select the location of the mast and measure the distance from the mast top to the battery. Select the minimum cross section required in the basis of the following tables. The 3 AC cables need to have the same cross section.

System voltage 12 Volt

Distance from wind generator to the charge controller (m)	0 - 9	10 - 19	20 - 29	30 - 44	45 - 69	70 - 110
Cable cross section mm ² - AWG	6 - 10	10 - 8	16 - 6	25 - 4	35 - 2	50 - 1
Distance from the charge controller to the battery (m)	0 - 9	10 - 19	20 - 29	30 - 44	45 - 69	70 - 110
Cable cross section mm ² - AWG	16 - 6	24 - 4	35 - 2	-	-	-

System voltage 24 Volt

Distance from wind generator to the charge controller (m)	0 - 9	10 - 19	20 - 29	30 - 44	45 - 69	70 - 110
Cable cross section mm ² - AWG	2.5 - 14	4 - 12	6 - 10	10 - 8	16 - 6	25 - 4
Distance from the charge controller to the battery (m)	0 - 9	10 - 19	20 - 29	30 - 44	45 - 69	70 - 110
Cable cross section mm ² - AWG	16 - 6	25 - 4	35 - 2	-	-	-

System voltage 48 Volt

Distance from wind generator to the charge controller (m)	0 - 29	30 - 79	80 - 99	100 - 150
Cable cross section mm ² - AWG	2.5 - 14	4 - 12	6 - 10	10 - 8
Distance from the charge controller to the battery (m)	0 - 29	30 - 69	70 - 99	100 - 150
Cable cross section mm ² - AWG	4 - 12	4 - 12	10 - 8	16 - 6

For protection against high voltage spikes and/or an accidental short-circuit event, **fuses must be installed in the positive (red) wires close to the battery**. The required value of the fuse depends on the rated current of the **SILENTWIND Pro** and solar panels connected to the Hybrid Boost Charge Controller. Considering the maximum value of currents, we recommend:

Silentwind Pro	Max Current (A) (SILENTWIND Pro + Solar Panel)	Fuse (A)
12V	40 + 20	50 + 25
24V	20 + 10	30 + 15
48V	10 + 5	20 + 10

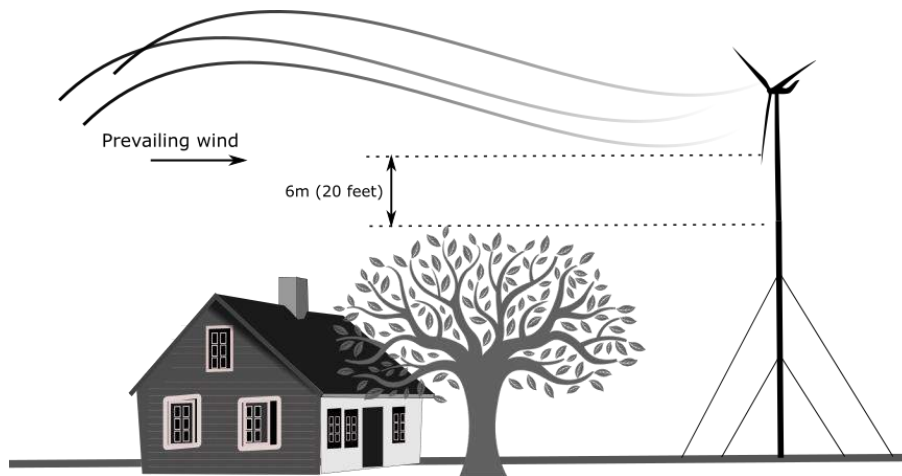
5.4 MECHANICAL INSTALLATION

5.4.1 INSTALLATION ON LAND

The height depends on the distraction of the wind by surrounding objects. You can simply test this fixing 3 meters long by 4 cm wide strip of plastic at the top of 4 meters (or longer) pole. You can use a second strip at 2 meters height.

If the upper plastic strip flows horizontally or up to 30 degrees from the horizontal you have found the suitable position. In case the plastic strip shows more than 30 degrees from the horizontal or turns around the mast, the position is unsuitable. This test should be carried out at moderate wind conditions and must be considered as an additional information only.

We recommend doing several tests for an optimal site assessment. However, you do not need to do this test if the **SILENTWIND Pro** is mounted far away from obstructions. You can also get help from specialists on a small wind generators.



Having found a suitable position, an appropriate mast with suitable hardware must be chosen. The outer mast diameter must be between 48mm to 50mm and it should be made of stainless steel or aluminum*. Please also consider possible future maintenance work.

Earthing of the mast is highly recommended. On vessels you can use the central earthing point for mast and engine. Ask a specialist for advice.

**Please check the aluminum mast maximum load with the manufacturer.*

5.4.2 INSTALLATION ON A VESSEL

The assembly height must be chosen in a way that no member of the crew is endangered by the rotor blades (around 3 meters). The mechanical fixation of the mast foot must withstand the mechanical loads occurring specially in rough sea conditions. We recommend additional rigging to the sea rail or the deck of the ship. Please consult your vessel manufacturer or your vessel maintenance partner for advice.



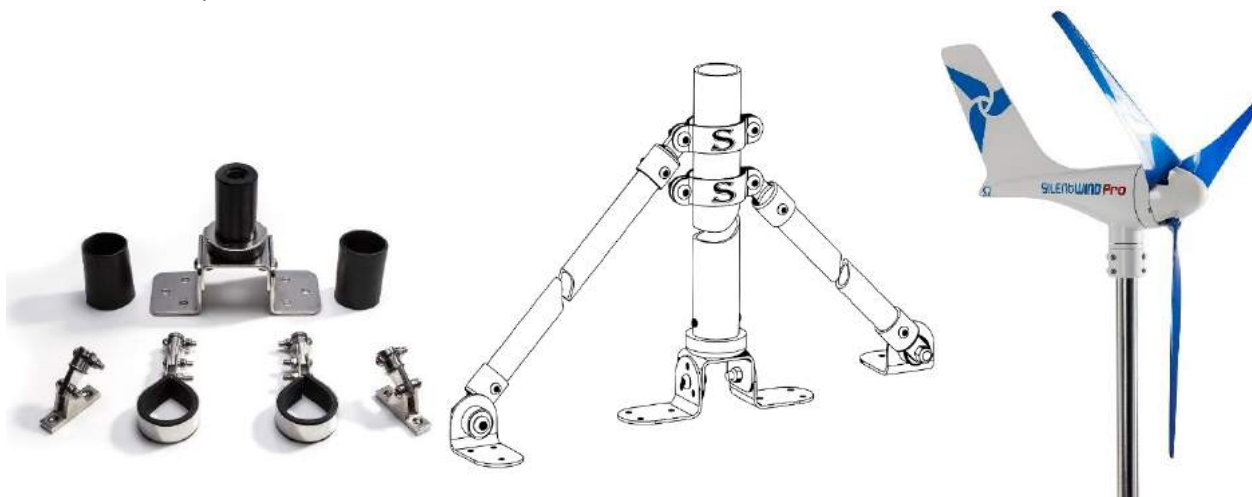
Vessel/motorhomes equipped with wind generators typically have a dedicated mast used as the mounting post for the wind generator.

Vibrations generated by all wind generators will be transferred down into the vessels hull or the motorhomes walls via the mast and the fittings. These are called “harmonics”.

Therefore, how the mast is fitted to the deck/motorhomes is one of the most important parts of the installation.

In order to eliminate harmonics and get best performance out of the **SILENTWIND Pro** we recommend the following when installing on a vessel/motorhome:

- ✔ Do not position **SILENTWIND Pro** in line with a backstay or centered position on your stern. It needs to be positioned above the Bimini, coach house or any other construction. To work most efficiently and with the lowest noise emission all wind generators need “clean air”. During the wind tunnel testing it was clearly proven that any turbulence will decrease the **SILENTWIND Pro** performance. The anemometer on a vessel is usually on a different Height of the wind generator, the windspeed shown will not be the same as on the wind generator. Please take this is account.
- ✔ Avoid attaching the mast on any existing structure; for instance, a frame which holds solar panels, Biminis, rail fitting, etc.
- ✔ Use rubber inserts between deck and mast base, rubber washer for screws or bolts to remove any latent vibrations before entering the hull/motorhome.
- ✔ Use the supplied rubber insert between the **SILENTWIND Pro** and the mast.
- ✔ All brackets, like mast clamps, need rubber strip insertions (3-4mm thickness and of medium density) between parts.
- ✔ An upper mast bracket should be installed approximately 20 cm below the lowest part of the blades tip to stabilize the mast.



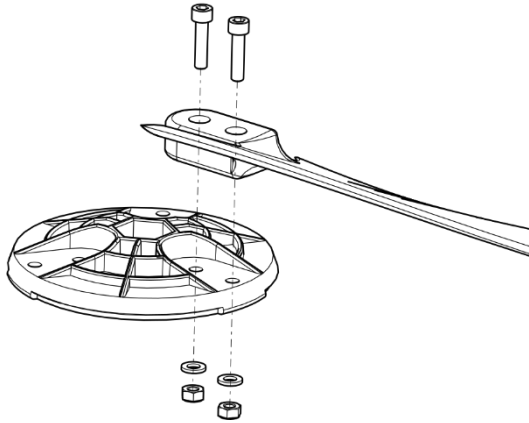
Once the mast is mounted you can start the installation of the **SILENTWIND Pro**.

Video Link – Silentwind Scantrut Mas Assembly:

https://www.youtube.com/watch?time_continue=1&v=0dVJIwbwAWY

5.4.3 SILENTWIND Pro ASSEMBLY

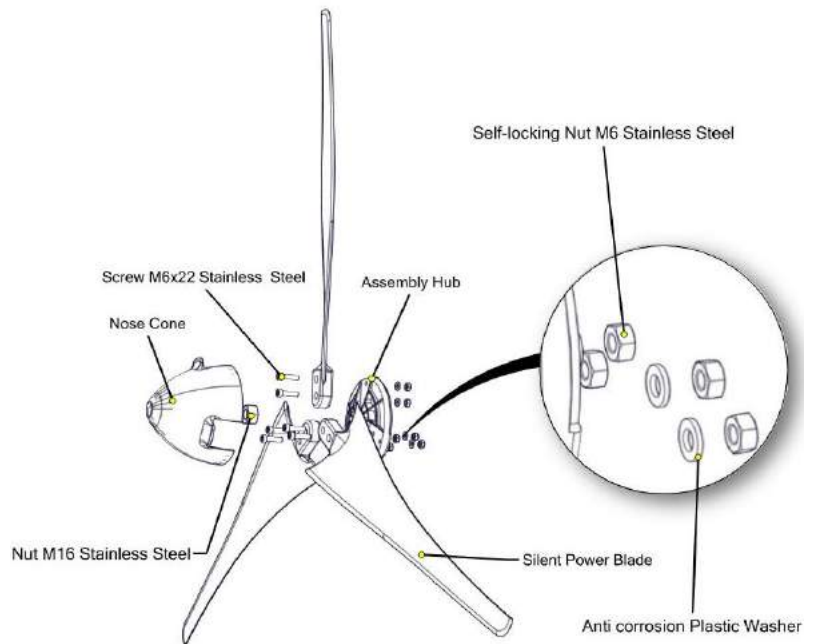
1ST - CONNECT THE 3 BLADES TO THE ASSEMBLY HUB WITH THE ENCLOSED SCREWS



- Move each rotor blade in running direction towards the edge of the blade guide of the hub. The running direction is clockwise looking from the front.

- Before the final tightening of the blade screws, **make sure that the distance between the blade tips is the same, in order to avoid vibrations.**

Take a measuring tape and measure the distance from all three tips of the blades and adjust accordingly (Approximately 990mm ± 5mm tolerance). The blades have been balanced statically and dynamically.



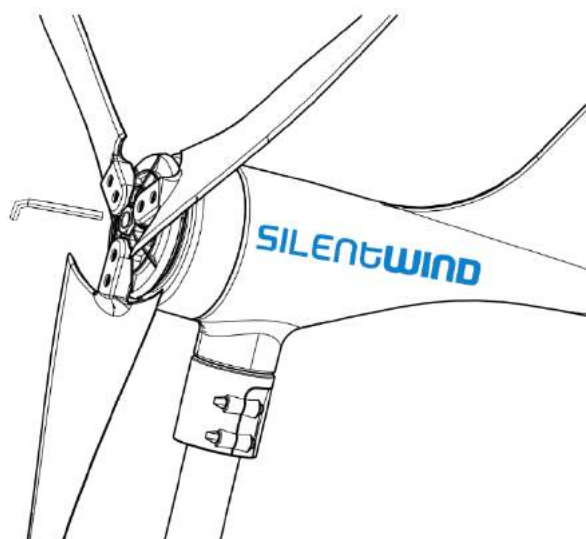
- The fastening torque is 7-8 Nm equivalent to a weight of 7-8kg on a 10 cm long lever arm, upright to the lever arm. If the fastening torque is too high, this will destroy or damage the blades. If the fastening torque is not high enough, the blades can get lose. A wrong fastening torque is a considerable safety risk.



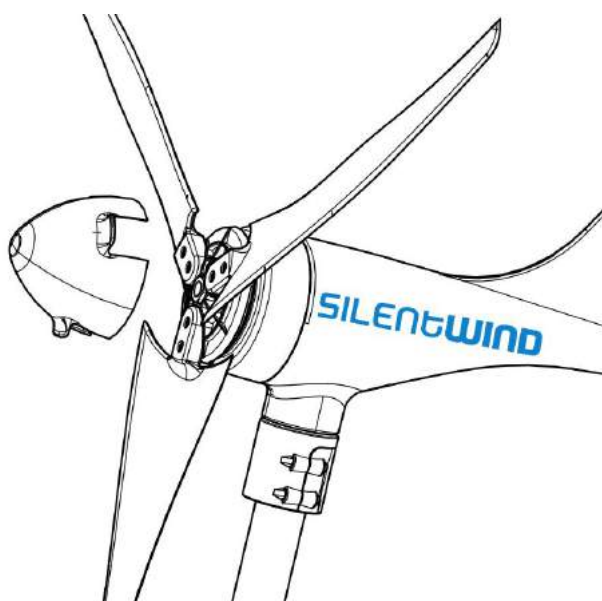
An incorrect tightening torque represents a significant security risk. Regularly control the fixation of the blades!

The enclosed nylon discs protect against electrolytic corrosion.

2nd FIX THE SET TO THE SILENTWIND Pro SHAFT WITH THE ENCLOSED SCREW NUT
(use the enclosed hexagon socket screw key).



- ✦ The M16 Nut and the Hub is marked. The arrow on the central nut should point towards SILENTWIND Pro head. Do not over tighten the central nut.



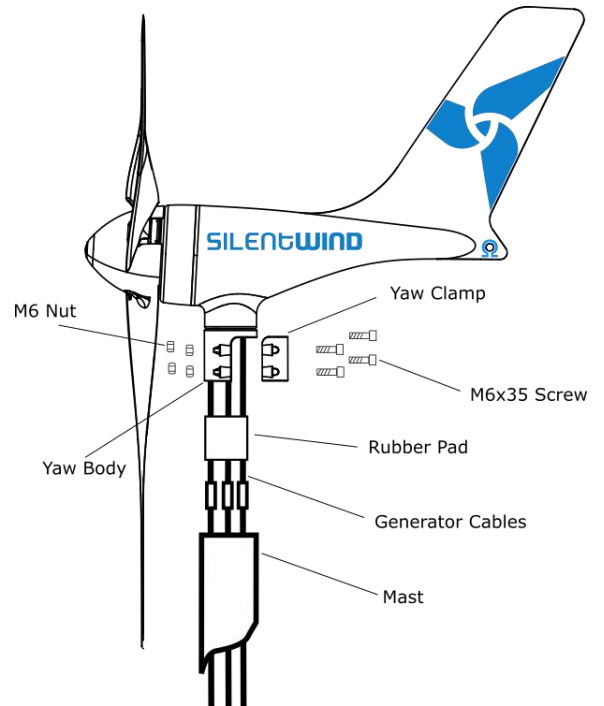
3rd SNAP THE NOSE CONE INTO PLACE ON THE ASSEMBLY HUB

- ✦ If possible, it is best to attach the hub with the blades to the shaft at the very end of the mounting procedure.
- ✦ After a week or so check the central nut which connects rotor hub to shaft for tightness. Also check the 6 bolts which fix the blades to the hub.

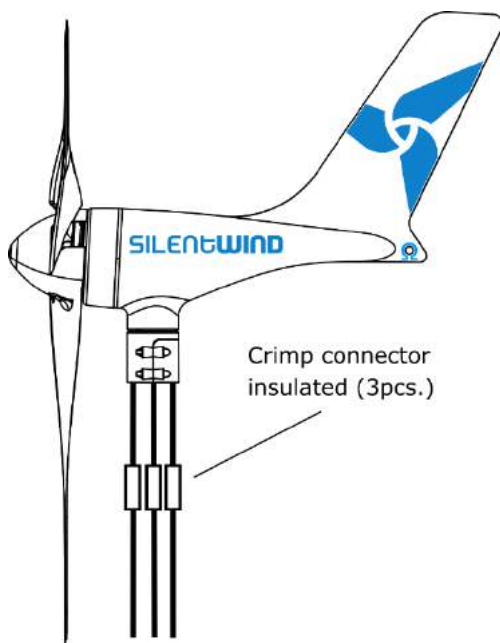
4th MOUNT THE SILENTWIND ON THE MAST

- ✦ Fix the 4 hexagon screws to the yaw clamp after inserting the rubber pad.
- ✦ When tightening the screws take care for a uniform, circumferential tightening of the 4 screws.
- ✦ The tightening should be made with small increments in order to avoid damaging the marine grade painting.

Video Link - Silentwind Blade Assembly:
https://www.youtube.com/watch?v=0avf_y2U3gY



5.5 ELECTRICAL INSTALLATION



Make an extension of the 3 cables AC, using a crimp connector insulated will be necessary since the **SILENTWIND Pro** will be fixed in the mast and the Hybrid Boost Charge Controller will not be fixed in the same place.

If there is enough wind speed when connecting **SILENTWIND Pro**, this will immediately generate electric power at the end of the 3 AC-wires without being connected to the Hybrid Boost Charge Controller. Therefore, **we recommend blocking the SILENTWIND Pro blades with a rope before connecting the wires to the Hybrid Boost Charge Controller.**

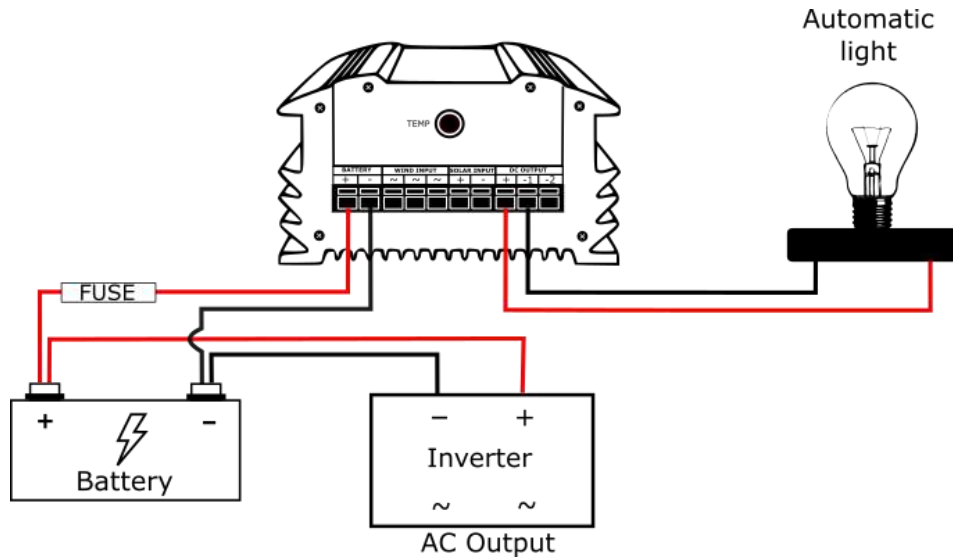
Video Link - Silentwind Cable Connection:

https://www.youtube.com/watch?time_continue=1&v=1W4HIPHQ_C4

Connect insulating screw joints in the end of the wires coming from the battery. In case you do not use the connecting wires, we recommend the use of crimp type cable sockets to connect your wires directly to the Hybrid Boost Charge Controller.



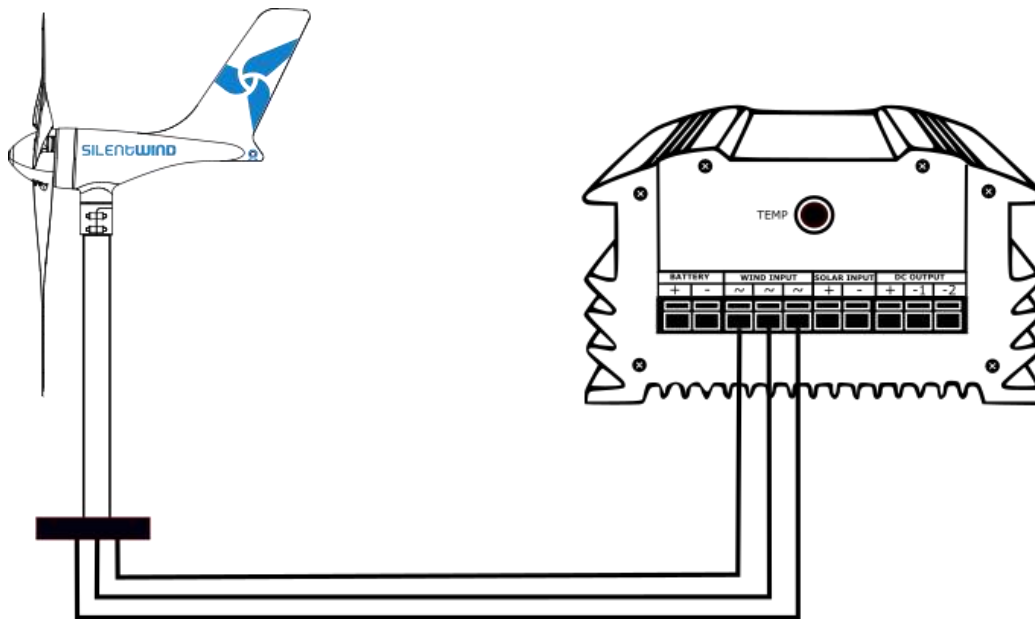
Install a fuse between the Hybrid Boost Charge Controller and the battery positive pole, as close as possible to the battery.



It's very important that you first connect the Hybrid Boost Charge Controller to the battery with the right polarity. **The confusion of plus (red) and minus (black) will destroy your Hybrid Boost Charge Controller.**

After the connection of the battery you can connect to **SILENTWIND Pro**, the solar panel and if required a load output with maximum 10A.

The 3 AC output wires must be connected to the 3-screw terminal on the back of the Hybrid Boost Charge Controller. In a 3 phase AC system the connection order/polarity does not matter.



Video Link - Silentwind Charge Controller Installation:

https://www.youtube.com/watch?time_continue=5&v=DS5oi9-2Hbk

5.6 CHECK LIST

Before getting you **SILENTWIND Pro** started, check the correct mounting and installation according to the following check list:

Mast

- The mounting system can handle with strong wind conditions?
- The mounting is assembled that vibration will not magnified?
- Rubbers were used in strips insertions?
- Mast bracket was installed?

Body

- Any damage to the power coated aluminum?

Yaw Shaft

- The rubber pad is fixed correctly?

Blades

- Do not interfere with any objects and nobody can get hit them?
- The distance between the blades is the same?

Assembly Hub

- The assembly hub was fixed to the **SILENTWIND Pro** shaft?
- The central screw nut was fastened with 30Nm?

Electric Installation

- Enough ventilation is provided?
- The electrical connections (crimping) were done correctly?
- All wires are correctly placed?
- The wires have the correctly cross section: **SILENTWIND Pro** and battery?
- The fuse was installed between the Hybrid Boost Charge Controller and the battery?

Hybrid Boost Charge Controller

- Fastened securely to the mounting location?
 - All screw terminals are firmly tightened?
-

6. OPERATION

If there's enough wind speed, **SILENTWIND Pro** will start charging. You can control this on the LCD display of the Hybrid Boost Charge Controller or from your smartphone or tablet using **SILENTWIND Pro** APP that is available for Android and IOS devices.

The settings to operate the Hybrid Boost Charge Controller and **SILENTWIND Pro** are done through APP or directly on the charge controller. The Hybrid Boost Charge Controllers are parametrized by default with standard settings.

You must check all the parameters by yourself. Wrong settings can permanently damage your batteries, your charge controller and your wind generator.

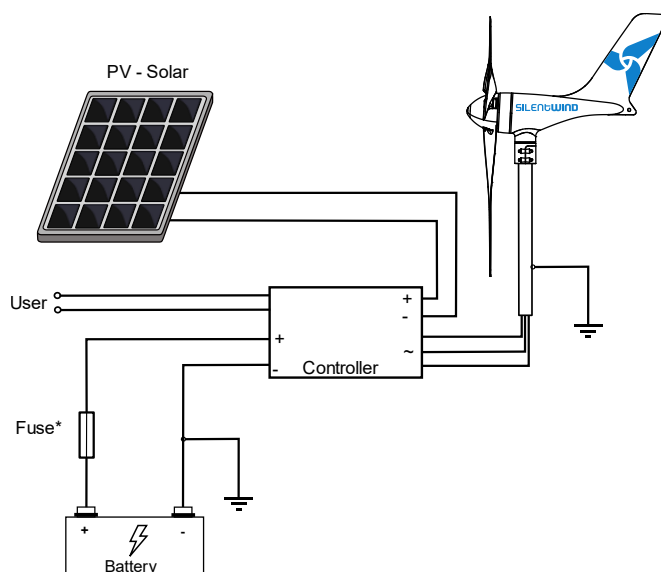
The **Hybrid Boost Charge Controller** must be adjusted according the type of battery and according to your individual requirements. Please read the **Hybrid Boost Charge Controller** user manual.

- ✦ **End of charge Voltage** – Batteries maximum voltage
- ✦ **Overvoltage** – Load Output 1 and 2 Voltage protection
- ✦ **Low Wind Boost** – set the boost to achieve an earlier start of charging in to the batteries
- ✦ **Storm Brake** – Maximum amperage allowed. It will limit the maximum rpm speed and prevents overheating.
- ✦ **Under Voltage Switch Off** – To avoid fast discharging, below this value the Outputs are turned Off
- ✦ **Under Voltage Recovery On** – Above this value, the Outputs are turned On
- ✦ **Solar Switch Off** – Above this value, it will turn the Outputs Off
- ✦ **Solar Switch On** – Below this value, it will turn the Outputs On

If the break adjustment and charge cut off voltage is reached, the **SILENTWIND Pro** will stop for approximately 10 minutes.



If the capacity of the batteries is less than 150 Ah, or old batteries that have lost their original capacity, the point of max. voltage can be reached very fast although the battery is not fully charged yet. In this case it can be useful to connect an electric consumer to the Load-output, as this will reduce the voltage and thus prevent that the break mode is activated too early.



7. MAINTENANCE

Your **SILENTWIND Pro** was manufactured for long term use without any maintenance. However, simple and regular verification ensure the necessary security.



Before starting the verification, make sure the blades are stopped and the battery is not connected to the Hybrid Boost Charge Controller. Please follow the DISSASSEMBLY SEQUENCE chapter.

The following verification should be carried out:

7.1 ROTOR BLADES

Check if the blades show damages like broken edges, damaged surface or cracks. If you notice any damage, the **SILENTWIND Pro** must be immediately stopped.

7.2 SCREWS

Check that all accessible screws are correctly fixed. Especially the hexagon screws from the hub, the central shaft nut and the fixing of the mast must be checked.

7.3 BEARING AND GASKETS

The bearing of the **SILENTWIND Pro** shaft and the yaw bearing of the shaft are permanently lubricated. Check these bearings for free movement, or noise. Damaged bearing must be replaced.

7.4 CORROSION PROTECTION

If the outer layer is damaged, there is a risk of corrosion. Paint these spots with suitable varnish (RAL9010).

7.5 MOUNTING SYSTEM

Check the mounting system for stability and absence of loose screws (if applicable).

7.6 ELECTRICAL SYSTEM

Check if all connections are properly fixed and not corroded. If there's corrosion it must be removed and treated with contact spray.

Give special attention to the battery connections: they must be cleaned and greased with Vaseline. Check the batteries instructions from the manufacturer and check which how to perform the maintenance correctly. If more than one battery is used check if all batteries have the same capacity and state of charge.

Maintenance Part	Frequency
Rotor Blades	3 months (*)
Screws	12 months
Bearing and gaskets	12 months
Corrosion protection	12 months
Mounting system	12 months
Electrical system	12 months

* *Eventually then you can turn to a longer interval*

8. VIDEO LINKS

SILENTWIND YOUTUBE CHANNEL: <https://www.youtube.com/channel/UCVwBIHW2KGVm3TBeTKtY8Xg>

Video Link - Silentwind Package Contents:

<https://www.youtube.com/watch?v=pLuSNRxl7nE>

Video Link - Silentwind Scanstrut Mast

Assembly: https://www.youtube.com/watch?time_continue=1&v=0dVJlwbwAWY

Video Link - Silentwind Cable Connection:

https://www.youtube.com/watch?time_continue=1&v=1W4HIPHQ_C4

Video Link - Silentwind Charge Controller Installation:

https://www.youtube.com/watch?time_continue=5&v=DS5oi9-2Hbk

9. FAQ

✈ *Could you please advise/confirm the 12v Wind.solar.hybrid set is suitable for marine use?*

Our Hybrid kit is especially made for marine use, where we sell about 90% of our goods

✈ *The solar panels will be mounted on the push pit rail aft and will need to be able to swing from vertical to horizontal. Do you include rail mountings in the package and price?*

There's no problem to use our panels horizontal or vertical. We don't have rail mountings because there are many different installation situations. You should check a suitable mounting system with a chandlery nearby.


✈ *Please advise how to get the nose cone off.*

To remove the nose cone, please just pull the nose cone out. The nose cone has three plugs that keep it in place.

✈ *I have many Vibrations on the SILENTWIND Pro although the support is adequate.*

90% of all the vibrations are due to the Mast Systems. Please use Rubber pads on all connections from the Mast System into the vessel to absorb vibrations. Additionally, please check following points:

- Adaptor HUB – rotate the Hub to see if it is unbalanced.
- Nutt M16 – Check if uncalibrated - Replace Nutt.
- Rotor Blades - Blades Tips must have the same distance between the 3 blades.

 *The brake on the Hybrid Boost Charge Controller is always ON.*

Attention:

Wrong connection from Plus and Minus will automatically destroy the Hybrid Boost Charge Controller.

- Please check the Battery charge.
- Please check the cables cross section according to the manual.

Reset the Hybrid Boost Charge Controller: Please press the reset button for 5 sec.

Total reset of The Hybrid Boost Charge Controller:

- Disconnect charge controller (wind, solar, battery):

1st Disconnect the **SILENTWIND Pro** (to avoid risks, once you remove the 3 wires from the generator, please put at least 2 wires from the generator together to cause a short circuit and slow down the rotation of the blades).

2nd Disconnect the solar panels if available.

3rd Disconnect Battery. This is very important. Otherwise the Hybrid Boost Charge Controller will be damaged.

- Leave the Hybrid Boost Charge Controller for at least 10 min. rest to dissipate all energy.
- After 10 minutes connect the cables on the inverse order:

1st Connect the Hybrid Boost Charge Controller to the battery

2nd Connect solar panels

3rd Connect the **SILENTWIND Pro** and insert the parameters again

10. TROUBLESHOOTING

10.1 SILENTWIND Pro DOES NOT START OR IT'S ROTATING SLOWLY

Possible cause	Test	Solution
Not enough wind	Measure the wind speed (anemometer) at the same height as the wind generator.	Wait for more wind (Start up speed from 2.2 m/s).
Brake is ON	See if the Brake LED is ON or the "BRAKE" message is on the LCD screen	Turn the Brake OFF on the charge controller or on the Silentwind APP.
Bad extension cables / bad crimping	Check the terminals Check the cables resistance.	Check all 3 AC cables.
Slip Ring Problem	Test the resistance between the three AC cables. Follow the disassembling sequence. Check the <i>Troubleshooting Low Power Guide</i> for detailed information.	Clean the Slip Ring
Wind Generator Head problem	Resistance measurement, Inductance measurement	Replace of a new one.
Wrong Settings	Check your battery specifications	Set the parameters accordingly

In order to find the problem, you must check the installation chain starting at the 3 wires of the **SILENTWIND Pro** connected to the Hybrid Boost Charge Controller.

Follow the disassembling sequence explained on chapter 4.5 DISSASSEMBLY SEQUENCE. If the wind generator starts to rotate (without connection to the Hybrid Boost Charge Controller) the failure is between the extension cables to Hybrid Boost Charge Controller or to the battery.

Please follow the *Troubleshooting Low Power Guide* which is available for download on our download section at: <https://www.silentwindgenerator.com/en/download/> .

For further information , please contact Silentwind.

10.2 BATTERY IS NOT FULLY CHARGED

Possible cause	Test	Solution
Old or damaged battery.	Test battery status and liquid of every battery (if available).	<ul style="list-style-type: none"> - Replace battery. - Refill distilled water (not necessary for gel or AGM-battery).
Wrong Settings	Check your battery specifications	Set the parameters accordingly

10.3 SILENTWIND Pro DOES NOT CHARGE

Possible cause	Test	Solution
Not enough wind.	Measure the wind speed (anemometer) at the same height as the wind generator.	<ul style="list-style-type: none"> - Startup of charging depends on the battery status. - Check the adjustment of the charge controller.
Electric wiring interrupted.	Check wires, connections and gadgets.	Replace damaged wires or gadgets.
Electric wiring interrupted.	Check wires, connections and gadgets.	Replace damaged wires or gadgets.
Carbon brushes in the yaw bearing have no contact.	Check carbon brushes and springs.	Clean or replace carbon brushes and springs.
Charge controller is not connected correctly.	Check the charge controller's manual for additional info	Correct installation.

11 WARRANTY

SILENTWIND Pro is designed to be in good working order, but if it is found to be defective within the warranty period, repair service will be provided free of charge by Rulis Electrica, Unip. Lda.

	Period of warranty
SILENTWIND Pro	36 months
Hybrid Boost Charge Controller	24 months

The limited warranty begins it's the customers purchase date.

Free repair service may only be obtained by providing the warranty card or the original purchase invoice issued to the customer by the retailer. The warranty card must state the purchaser's name and address, the retailer's name and address, the serial number and the date of purchase of the product.

If you experience any problem with your **SILENTWIND Pro**, please contact:

- Rulis Electrica – support@silentwind.com or at <https://silentwind.vhdeu.com>
- Authorized service dealers – <https://www.silentwindgenerator.com/en/silentwind-in-the-world/>

After Rulis Electrica is notified, the technical department will make all reasonable efforts via phone and email to ascertain the natures of the problem to determine whether any part is defective for purpose of coverage under this Limited Warranty. There is no charge for such diagnosis. Any repair or replacement will be provided only after Rulis Electrica's diagnosis and its agreement to the defective condition.

Rulis Electrica Lda reserves the right to repair free of charge the defective part or exchange free of charge the defective part with a new or remanufactured part or **SILENTWIND Pro** that is new or equivalent to new in performance and reliability and is at least functionally equivalent to the original **SILENTWIND Pro** part.

Any costs of secure transportation of the product to Rulis Electrica Lda authorized service partners will be borne by the customer. Repaired or replaced **SILENTWIND Pro** and replacement part will be delivered to the customer at Rulis Electrica expense.

If a warranty claim is invalid for any reason, the customer will be informed of the repair and return freight charges for prior approval. If the customer refuses to approve repair charges, return freight charges may apply.

When a **SILENTWIND Pro** part is replaced for a new or remanufactures part, such new or remanufactures part becomes customer's property and replaced part becomes Rulis Electrica Lda property. Customer property remaining at Rulis Electrica Lda repairs facilities for more than ninety (90) days without required customer approval of return freight charges, becomes the property of Rulis Electrica, Unip. Lda.

Otherwise the general terms for products delivery and services from the Portuguese law are applicable. Rulis Electrica, Unip. Lda does not warrant the following:

- Defects caused by modifications carried out without approval.
- Damage caused by improper use, handling or operation, in particular defects caused by improper installation and installation on inadequate masts or support structures.
- Accidents or disasters or any cause, including but not limited to lightning, flooding, fire etc.
- Costs for disassembly and reassembly of the product to enable shipment for warranty reasons

11.1 DISCLAIMER OF WARRANTY

This Limited Warranty gives you specific legal rights, and you may also have other rights which vary from country to country and state to state. TO THE EXTENT PERMITTED BY LAW, THIS EXPRESS LIMITED WARRANTY AND THE REMEDIES SET FORTH ABOVE ARE EXCLUSIVE AND IN LIEU OF ALL OTHER WARRANTIES, REMEDIES AND CONDITIONS, WHETHER ORAL, WRITTEN, STATUTORY, EXPRESS OR IMPLIED. AS PERMITTED BY APPLICABLE LAW, Rulis Electrica, Unip. Lda. DISCLAIMS ANY AND ALL STATUTORY OR IMPLIED WARRANTIES, INCLUDING, WITHOUT LIMITATION, THE IMPLIED WARRANTIES OF FITNESS FOR A PARTICULAR PURPOSE, MERCHANTABILITY, NON-INFRINGEMENT AND WARRANTIES AGAINST HIDDEN OR LATENT DEFECTS. IF Rulis Electrica, Unip. Lda. CANNOT LAWFULLY DISCLAIM STATUTORY OR IMPLIED WARRANTIES THEN, TO THE EXTENT PERMITTED BY LAW, ALL SUCH WARRANTIES SHALL BE LIMITED IN DURATION TO THE DURATION OF THIS EXPRESS LIMITED WARRANTY. Rulis Electrica, Unip. Lda. does not grant to any person or entity (including its field representatives, dealers or distributors) the authority to create for it any obligation or liability in connection with your [SILENTWIND Pro](#). Limitation of Liability EXCEPT AS PROVIDED IN THIS EXPRESS LIMITED WARRANTY AND TO THE MAXIMUM EXTENT PERMITTED BY LAW, UNDER NO CIRCUMSTANCES WILL Rulis Electrica, Unip. Lda., OR ITS AFFILIATES, SUPPLIERS, DEALERS, DIRECTORS, OFFICERS, EMPLOYEES, OR AGENTS (THE "RELEASED PARTIES") BE LIABLE OR RESPONSIBLE FOR, EVEN IF SUCH RELEASED PARTY HAS BEEN ADVISED OF THE POSSIBILITY OF SUCH DAMAGE, ANY DIRECT, SPECIAL, INCIDENTAL OR CONSEQUENTIAL DAMAGES RESULTING FROM ANY BREACH OF WARRANTY OR CONDITION, OR UNDER ANY OTHER LEGAL THEORY OR FORM OF ACTION (WHETHER IN CONTRACT, TORT (INCLUDING NEGLIGENCE), STRICT LIABILITY OR OTHERWISE), INCLUDING, BUT NOT LIMITED TO, ANY LOSS OF USE, INTERRUPTION OF OR LOSS OF BUSINESS, LOST OF ACTUAL OR ANTICIPATED PROFITS (INCLUDING LOSS OF PROFITS ON CONTRACTS), LOSS OF REVENUE, LOSS OF THE USE OF MONEY, LOSS OF ANTICIPATED SAVINGS, LOSS OF OPPORTUNITY, LOSS OF GOODWILL, LOSS OF REPUTATION, LOSS OF, DAMAGE TO OR CORRUPTION OF DATA, OR ANY INDIRECT OR CONSEQUENTIAL DAMAGES HOWEVER CAUSED, INCLUDING THE REPLACEMENT OF EQUIPMENT AND PROPERTY, BODILY INJURY OR DEATH.

(Note: some states do not allow the exclusion or limitation of incidental or consequential damages, so these limitations may not apply to you.) The total cumulative liability to Customer, from all causes of action and all theories of liability, will be limited to and will not exceed the purchase price of the [SILENTWIND Pro](#) paid by Customer.

11.2 WARRANTY CARD

Purchaser Name	
Purchaser Address	
Purchase Date	
SILENTWIND Pro serial number	
Blades serial number	
Hybrid Boost Charge Controller serial number	
Retailer Name	
Retailer Address	

11.3 AFTER-SALES SERVICE

Before requesting after-sales support, please read the user manuals carefully. Check also for our troubleshooting documents at our download section.
Check regularly for updates.

The requests must be done where you bought the SILENTWIND Pro.

If for some reason the request is done directly to SILENTWIND, it will be first submitted for approval.

The requests can be done through our online Helpdesk platform at: <https://silentwind.vhdeu.com> or sending an email to: support@silentwind.com or for sales: sales@silentwind.com .

To avoid any delays, please fill all necessary information to track the problem and validate the warranty if needed.

12 QUICK INSTALLATION QUICK GUIDE

THE MAST / THE SITE

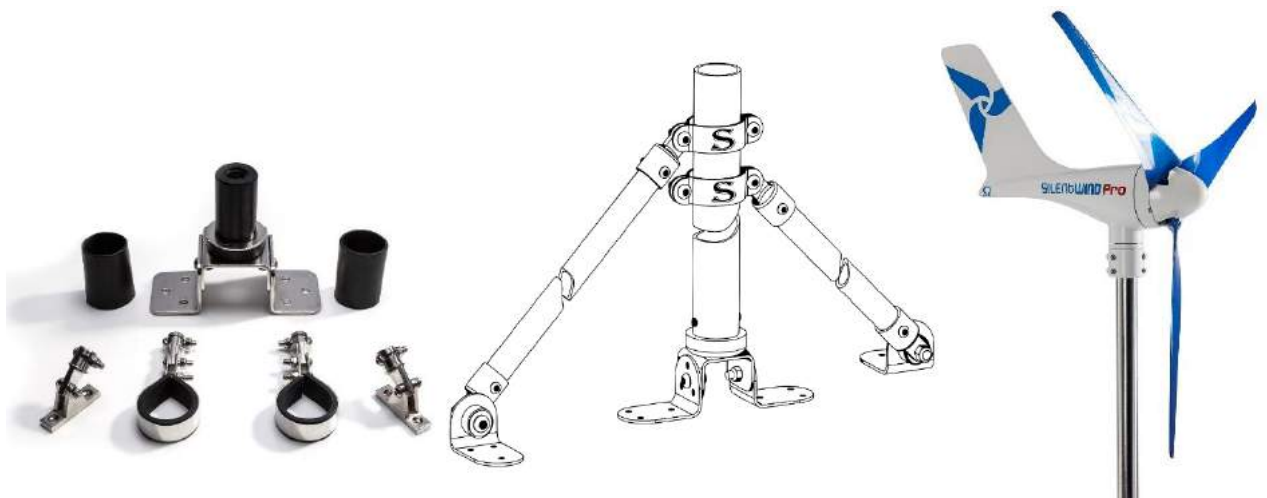
Vessel/motorhomes equipped with wind generators typically have a dedicated mast used as the mounting post for the wind generator.

Vibrations generated by all wind generators will be transferred down into the vessels hull or the motorhomes walls via the mast and the fittings. These are called “harmonics”.

Therefore, how the mast is fitted to the deck/motorhomes is one of the most important parts of the installation.

In order to eliminate harmonics and get best performance out of the **SILENTWIND Pro** we recommend the following when installing on a vessel/motorhome:

- ✔ Do not position **SILENTWIND Pro** in line with a backstay or centered position on your stern. It needs to be positioned above the Bimini, coach house or any other construction. To work most efficiently and with the lowest noise emission all wind generators need “clean air”. During the wind tunnel testing it was clearly proven that any turbulence will decrease the **SILENTWIND Pro** performance. The anemometer on a vessel is usually on a different Height of the wind generator, the windspeed shown will not be the same as on the wind generator. Please take this is account.
- ✔ Avoid attaching the mast on any existing structure; for instance, a frame which holds solar panels, Biminis, rail fitting, etc.
- ✔ Use rubber inserts between deck and mast base, rubber washer for screws or bolts to remove any latent vibrations before entering the hull/motorhome.
- ✔ Use the supplied rubber insert between the **SILENTWIND Pro** and the mast.
- ✔ All brackets, like mast clamps, need rubber strip insertions (3-4mm thickness and of medium density) between parts.
- ✔ An upper mast bracket should be installed approximately 20 cm below the lowest part of the blades tip to stabilize the mast.



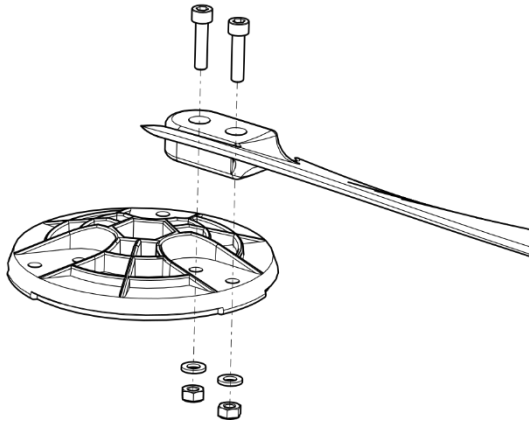
Once the mast is mounted you can start the installation of the **SILENTWIND Pro**.

Video Link – Silentwind Scantrut Mas Assembly:

https://www.youtube.com/watch?time_continue=1&v=0dVJIwbwAWY

SILENTWIND Pro ASSEMBLY

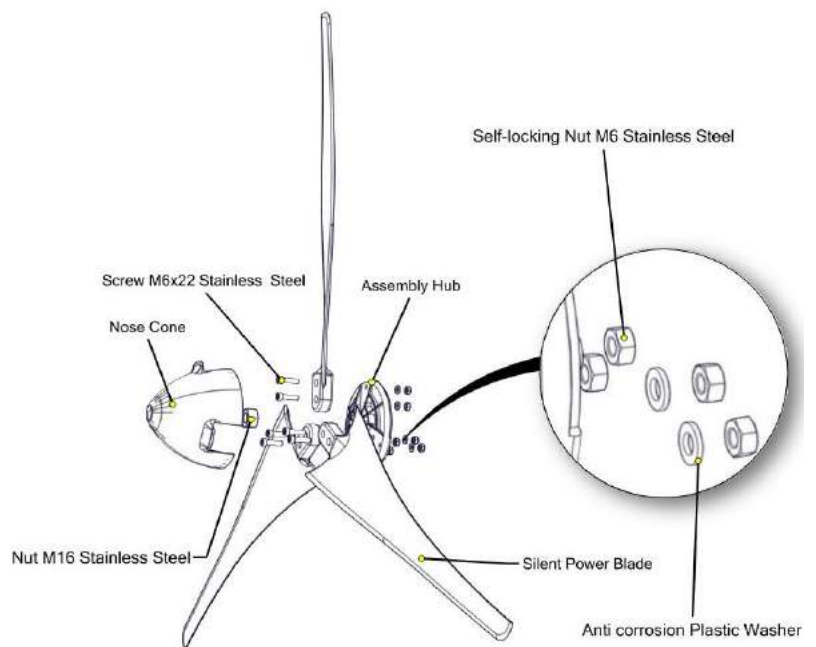
1ST - CONNECT THE 3 BLADES TO THE ASSEMBLY HUB WITH THE ENCLOSED SCREWS



✦ The fastening torque is 7-8 Nm equivalent to a weight of 7-8kg on a 10 cm long lever arm, upright to the lever arm. If the fastening torque is too high, this will destroy or damage the blades. If the fastening torque is not high enough, the blades can get lose. A wrong fastening torque is a considerable safety risk.

✦ Move each rotor blade in running direction towards the edge of the blade guide of the hub. The running direction is clockwise looking from the front.

✦ Before the final tightening of the blade screws, **make sure that the distance between the blade tips is the same, in order to avoid vibrations.**



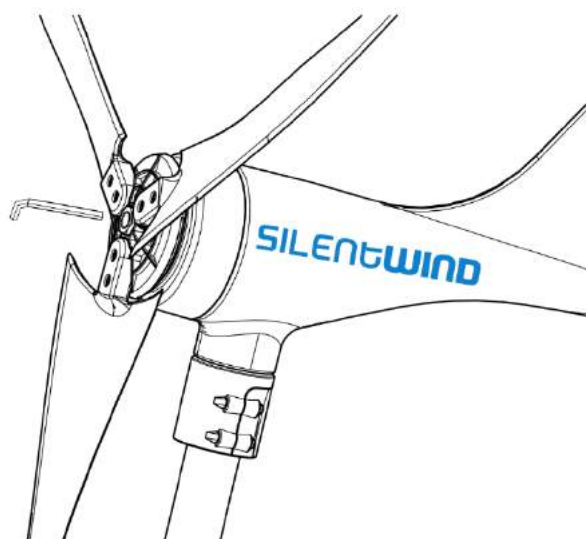
Take a measuring tape and measure the distance from all three tips of the blades and adjust accordingly (Approximately 990mm \pm 5mm tolerance). The blades have been balanced statically and dynamically.



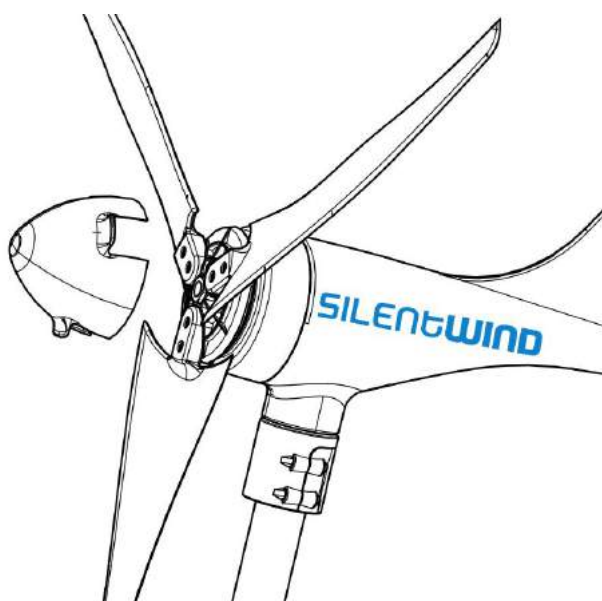
An incorrect tightening torque represents a significant security risk. Regularly control the fixation of the blades!

The enclosed nylon discs protect against electrolytic corrosion.

2nd FIX THE SET TO THE SILENTWIND Pro SHAFT WITH THE ENCLOSED SCREW NUT
(use the enclosed hexagon socket screw key).



- ✦ The M16 Nut and the Hub is marked. The arrow on the central nut should point towards SILENTWIND Pro head. Do not over tighten the central nut.



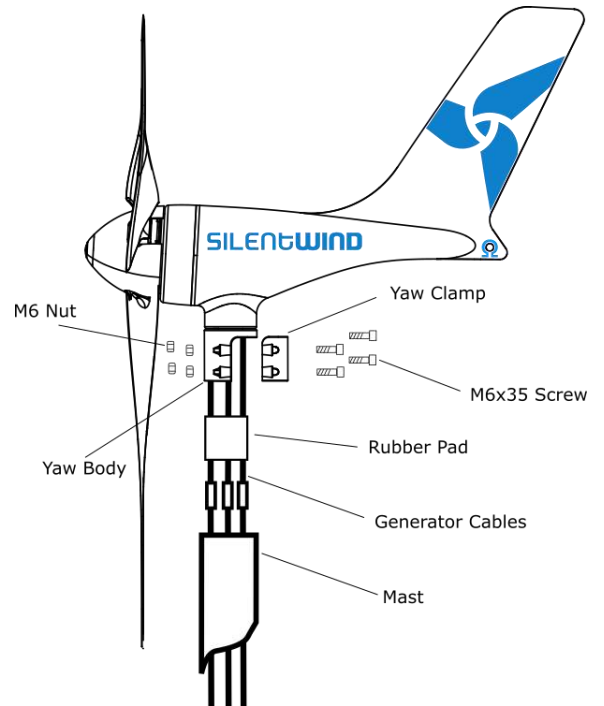
3rd SNAP THE NOSE CONE INTO PLACE ON THE ASSEMBLY HUB

- ✦ If possible, it is best to attach the hub with the blades to the shaft at the very end of the mounting procedure.
- ✦ After a week or so check the central nut which connects rotor hub to shaft for tightness. Also check the 6 bolts which fix the blades to the hub.

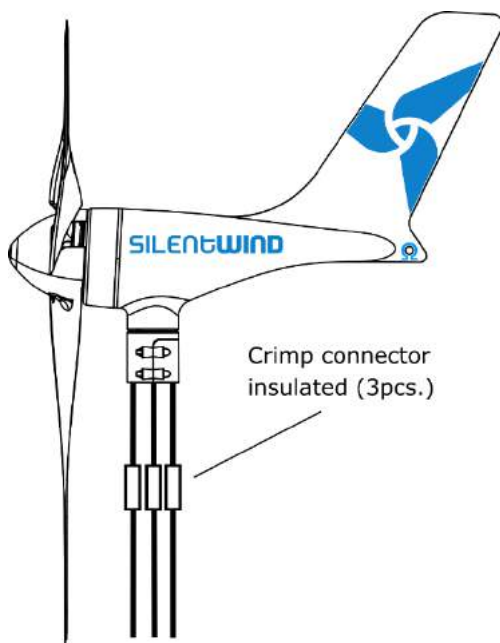
4th MOUNT THE SILENTWIND ON THE MAST

- ✦ Fix the 4 hexagon screws to the yaw clamp after inserting the rubber pad.
- ✦ When tightening the screws take care for a uniform, circumferential tightening of the 4 screws.
- ✦ The tightening should be made with small increments in order to avoid damaging the marine grade painting.

Video Link - Silentwind Blade Assembly:
https://www.youtube.com/watch?v=0avf_y2U3gY



ELECTRICAL INSTALLATION



Make an extension of the 3 cables AC, using a crimp connector insulated will be necessary since the **SILENTWIND Pro** will be fixed in the mast and the Hybrid Boost Charge Controller will not be fixed in the same place.

If there is enough wind speed when connecting **SILENTWIND Pro**, this will immediately generate electric power at the end of the 3 AC-wires without being connected to the Hybrid Boost Charge Controller. Therefore, **we recommend blocking the SILENTWIND Pro blades with a rope before connecting the wires to the Hybrid Boost Charge Controller.**

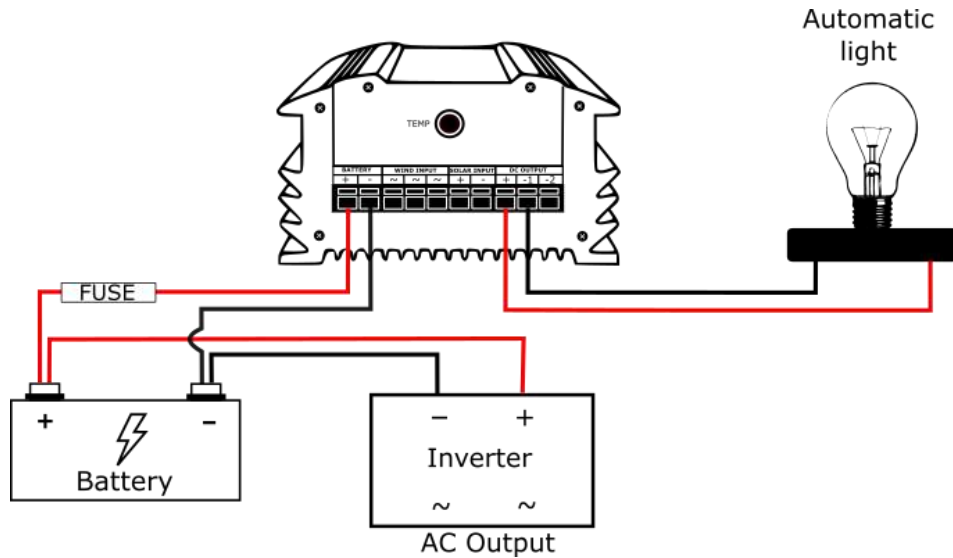
Video Link - Silentwind Cable Connection:

https://www.youtube.com/watch?time_continue=1&v=1W4HIPHQ_C4

Connect insulating screw joints in the end of the wires coming from the battery. In case you do not use the connecting wires, we recommend the use of crimp type cable sockets to connect your wires directly to the Hybrid Boost Charge Controller.



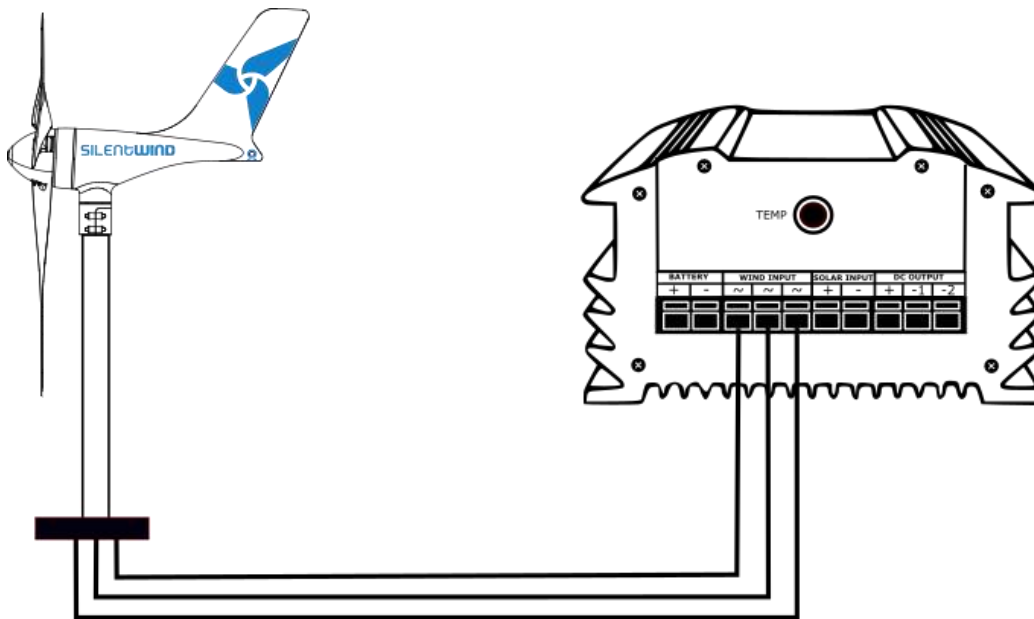
Install a fuse between the Hybrid Boost Charge Controller and the battery positive pole, as close as possible to the battery.



It's very important that you first connect the Hybrid Boost Charge Controller to the battery with the right polarity. **The confusion of plus (red) and minus (black) will destroy your Hybrid Boost Charge Controller.**

After the connection of the battery you can connect to **SILENTWIND Pro**, the solar panel and if required a load output with maximum 10A.

The 3 AC output wires must be connected to the 3-screw terminal on the back of the Hybrid Boost Charge Controller. In a 3 phase AC system the connection order/polarity does not matter.



Video Link - Silentwind Charge Controller Installation:

https://www.youtube.com/watch?time_continue=5&v=DS5oi9-2Hbk

